

GPIB

Getting Started with Your GPIB-PCII/IIA and the GPIB Software for Windows 98/95

July 1998 Edition
Part Number 321422D-01

Internet Support

E-mail: support@natinst.com

FTP Site: <ftp.natinst.com>

Web Address: <http://www.natinst.com>

Bulletin Board Support

BBS United States: 512 794 5422

BBS United Kingdom: 01635 551422

BBS France: 01 48 65 15 59

Fax-on-Demand Support

512 418 1111

Telephone Support (USA)

Tel: 512 795 8248

Fax: 512 794 5678

International Offices

Australia 03 9879 5166, Austria 0662 45 79 90 0, Belgium 02 757 00 20, Brazil 011 288 3336,
Canada (Ontario) 905 785 0085, Canada (Québec) 514 694 8521, Denmark 45 76 26 00,
Finland 09 725 725 11, France 01 48 14 24 24, Germany 089 741 31 30, Hong Kong 2645 3186,
Israel 03 6120092, Italy 02 413091, Japan 03 5472 2970, Korea 02 596 7456, Mexico 5 520 2635,
Netherlands 0348 433466, Norway 32 84 84 00, Singapore 2265886, Spain 91 640 0085, Sweden 08 730 49 70,
Switzerland 056 200 51 51, Taiwan 02 377 1200, United Kingdom 01635 523545

National Instruments Corporate Headquarters

6504 Bridge Point Parkway Austin, Texas 78730-5039 USA Tel: 512 794 0100

Important Information

Warranty

The GPIB-PCII/IA hardware is warranted against defects in materials and workmanship for a period of two years from the date of shipment, as evidenced by receipts or other documentation. National Instruments will, at its option, repair or replace equipment that proves to be defective during the warranty period. This warranty includes parts and labor.

The media on which you receive National Instruments software are warranted not to fail to execute programming instructions, due to defects in materials and workmanship, for a period of 90 days from date of shipment, as evidenced by receipts or other documentation. National Instruments will, at its option, repair or replace software media that do not execute programming instructions if National Instruments receives notice of such defects during the warranty period. National Instruments does not warrant that the operation of the software shall be uninterrupted or error free.

A Return Material Authorization (RMA) number must be obtained from the factory and clearly marked on the outside of the package before any equipment will be accepted for warranty work. National Instruments will pay the shipping costs of returning to the owner parts which are covered by warranty.

National Instruments believes that the information in this manual is accurate. The document has been carefully reviewed for technical accuracy. In the event that technical or typographical errors exist, National Instruments reserves the right to make changes to subsequent editions of this document without prior notice to holders of this edition. The reader should consult National Instruments if errors are suspected. In no event shall National Instruments be liable for any damages arising out of or related to this document or the information contained in it.

EXCEPT AS SPECIFIED HEREIN, NATIONAL INSTRUMENTS MAKES NO WARRANTIES, EXPRESS OR IMPLIED, AND SPECIFICALLY DISCLAIMS ANY WARRANTY OF MERCHANTABILITY OR FITNESS FOR A PARTICULAR PURPOSE. CUSTOMER'S RIGHT TO RECOVER DAMAGES CAUSED BY FAULT OR NEGLIGENCE ON THE PART OF NATIONAL INSTRUMENTS SHALL BE LIMITED TO THE AMOUNT THERETOFORE PAID BY THE CUSTOMER. NATIONAL INSTRUMENTS WILL NOT BE LIABLE FOR DAMAGES RESULTING FROM LOSS OF DATA, PROFITS, USE OF PRODUCTS, OR INCIDENTAL OR CONSEQUENTIAL DAMAGES, EVEN IF ADVISED OF THE POSSIBILITY THEREOF. This limitation of the liability of National Instruments will apply regardless of the form of action, whether in contract or tort, including negligence. Any action against National Instruments must be brought within one year after the cause of action accrues. National Instruments shall not be liable for any delay in performance due to causes beyond its reasonable control. The warranty provided herein does not cover damages, defects, malfunctions, or service failures caused by owner's failure to follow the National Instruments installation, operation, or maintenance instructions; owner's modification of the product; owner's abuse, misuse, or negligent acts; and power failure or surges, fire, flood, accident, actions of third parties, or other events outside reasonable control.

Copyright

Under the copyright laws, this publication may not be reproduced or transmitted in any form, electronic or mechanical, including photocopying, recording, storing in an information retrieval system, or translating, in whole or in part, without the prior written consent of National Instruments Corporation.

Trademarks

CVI™, LabVIEW™, NAT4882™, natinst.com™, NI-488™, NI-488.2™, and NI-488.2M™ are trademarks of National Instruments Corporation.

Product and company names listed are trademarks or trade names of their respective companies.

WARNING REGARDING MEDICAL AND CLINICAL USE OF NATIONAL INSTRUMENTS PRODUCTS

National Instruments products are not designed with components and testing intended to ensure a level of reliability suitable for use in treatment and diagnosis of humans. Applications of National Instruments products involving medical or clinical treatment can create a potential for accidental injury caused by product failure, or by errors on the part of the user or application designer. Any use or application of National Instruments products for or involving medical or clinical treatment must be performed by properly trained and qualified medical personnel, and all traditional medical safeguards, equipment, and procedures that are appropriate in the particular situation to prevent serious injury or death should always continue to be used when National Instruments products are being used. National Instruments products are NOT intended to be a substitute for any form of established process, procedure, or equipment used to monitor or safeguard human health and safety in medical or clinical treatment.

FCC/DOC Radio Frequency Interference Class B Compliance

This equipment generates and uses radio frequency energy and, if not installed and used in strict accordance with the instructions in this manual, may cause interference to radio and television reception. Classification requirements are the same for the Federal Communications Commission (FCC) and the Canadian Department of Communications (DOC). This equipment has been tested and found to comply with the following two regulatory agencies:

Federal Communications Commission

This equipment has been tested and found to comply with the limits for a Class B digital device, pursuant to part 15 of the FCC Rules. These limits are designed to provide reasonable protection against harmful interference in a residential installation. This equipment generates, uses and can radiate radio frequency energy and, if not installed and used in accordance with the instructions, may cause harmful interference to radio communications. However, there is no guarantee that interference will not occur in a particular installation. If this equipment does cause harmful interference to radio or television reception, which can be determined by turning the equipment off and on, the user is encouraged to try to correct the interference by one or more of the following measures:

- Reorient or relocate the receiving antenna.
- Increase the separation between the equipment and receiver.
- Connect the equipment into an outlet on a circuit different from that to which the receiver is connected.
- Consult the dealer or an experienced radio/TV technician for help.

Notices to User: *Changes or modifications not expressly approved by National Instruments could void the user's authority to operate the equipment under the FCC Rules.*

This device complies with the FCC rules only if used with shielded interface cables of suitable quality and construction. National Instruments used such cables to test this device and provides them for sale to the user. The use of inferior or nonshielded interface cables could void the user's authority to operate the equipment under the FCC rules.

If necessary, consult National Instruments or an experienced radio/television technician for additional suggestions. The following booklet prepared by the FCC may also be helpful: *Interference to Home Electronic Entertainment Equipment Handbook*. This booklet is available from the U.S. Government Printing Office, Washington, DC 20402.

Canadian Department of Communications

This Class B digital apparatus meets all requirements of the Canadian Interference-Causing Equipment Regulations.

Cet appareil numérique de la classe B respecte toutes les exigences du Règlement sur le matériel brouilleur du Canada.

About This Manual

| | |
|---------------------------------------|-----|
| How to Use the Manual Set | ix |
| Organization of This Manual | x |
| Conventions Used in This Manual | xi |
| Related Documentation | xii |
| Customer Communication | xii |

Chapter 1 Introduction

| | |
|---------------------------------------|-----|
| How to Use This Manual | 1-1 |
| What You Need to Get Started | 1-2 |
| Optional Equipment | 1-2 |
| GPIB-PCII/IIA Hardware Overview | 1-2 |
| GPIB Software Overview | 1-3 |
| Time-Saving Development Tools | 1-4 |

Chapter 2 Installation and Configuration

| | |
|---|------|
| Install the GPIB Software | 2-1 |
| Install the Hardware | 2-1 |
| Remove System-Reserved Resources | 2-1 |
| Identify Resources for the GPIB-PCII/IIA | 2-2 |
| Configure the GPIB-PCII/IIA in GPIB-PCII Mode | 2-6 |
| Verify GPIB-PCII Mode | 2-6 |
| Verify 7210 Mode | 2-8 |
| Configure the Hardware Resources | 2-8 |
| Configure the Input/Output Range (GPIB-PCII Mode) | 2-9 |
| Configure the Interrupt Request (GPIB-PCII Mode) | 2-11 |
| Configure the Direct Memory Access | 2-12 |
| Setting the Shield Ground Configuration | 2-13 |
| Install the GPIB-PCII/IIA | 2-14 |

| | |
|---|------|
| Configure the GPIB Software | 2-15 |
| Resolve Conflicts | 2-16 |
| Assign an Interface Name | 2-17 |
| View or Modify Logical Device Templates (Optional)..... | 2-18 |

Chapter 3

Verify the Installation

Chapter 4

Begin to Use the GPIB Software

| | |
|--|-----|
| Getting Started with LabVIEW | 4-1 |
| Getting Started with LabWindows/CVI | 4-1 |
| Introduction to the Win32 Interactive Control Utility..... | 4-2 |
| Introduction to the NI Spy Utility | 4-3 |
| Running Existing DOS GPIB Applications | 4-3 |
| General Programming Considerations | 4-4 |

Appendix A

Uninstalling the Hardware and Software

| | |
|---------------------------------|-----|
| Uninstalling the Hardware..... | A-1 |
| Uninstalling the Software | A-2 |

Appendix B

Using the GPIB-PCII/IIA in GPIB-PCIIA Mode

| | |
|--|-----|
| Problems Using the GPIB-PCII/IIA in GPIB-PCIIA Mode..... | B-1 |
| Configure the GPIB-PCII/IIA in GPIB-PCIIA Mode | B-2 |
| Verify GPIB-PCIIA Mode | B-2 |
| Verify 7210 Mode..... | B-2 |
| Configure the Hardware Resources | B-3 |

Appendix C

Troubleshooting and Common Questions

| | |
|--|-----|
| Troubleshooting EDVR Error Conditions | C-1 |
| EDVR Error Condition with ibcntl Set to 0xE028002C (-534249428) | C-1 |
| EDVR Error Condition with ibcntl Set to 0xE0140025 (-535560155)..... | C-1 |
| EDVR Error Condition with ibcntl Set to 0xE0140035 (-535560139)..... | C-1 |
| EDVR Error Condition with ibcntl Set to 0xE0320029 (-533594071) or 0xE1050029 (-519765975)..... | C-2 |
| EDVR Error Condition with ibcntl set to 0xE1030043 (-519897021) | C-2 |

| | |
|--|-----|
| Troubleshooting Device Manager Problems | C-2 |
| No National Instruments GPIB Interfaces Item | C-2 |
| Missing GPIB Interface | C-3 |
| GPIB Interface Not Working Properly | C-3 |
| Removing System-Reserved Resources | C-4 |
| Troubleshooting Diagnostic Utility Failures | C-5 |
| Missing Software Components..... | C-5 |
| No Properly Configured GPIB Interfaces Found | C-5 |
| GPIB Cables Need to Be Disconnected | C-6 |
| Address Resource Conflict | C-6 |
| Interrupt Resource Conflict | C-6 |
| DMA Resource Conflict..... | C-6 |
| Single-Cycle DMA Required | C-7 |
| GPIB Software Problem Encountered..... | C-7 |
| Unknown Problem Encountered..... | C-7 |
| Common Questions..... | C-8 |

Appendix D

Specifications

| | |
|-------------------------------|-----|
| Hardware Characteristics..... | D-1 |
| Software Transfer Rate | D-2 |

Appendix E

Customer Communication

Glossary

Figures

| | |
|---|------|
| Figure 2-1. Add New Hardware Wizard Hardware Selection..... | 2-3 |
| Figure 2-2. GPIB-PCII/IIA Resources Assigned Successfully | 2-4 |
| Figure 2-3. GPIB-PCII/IIA Resources Not Assigned Successfully | 2-4 |
| Figure 2-4. GPIB-PCII/IIA Resources Settings | 2-5 |
| Figure 2-5. GPIB-PCII/IIA Parts Locator Diagram | 2-7 |
| Figure 2-6. GPIB-PCII Mode Selection Setting | 2-8 |
| Figure 2-7. Base I/O Address Switch Settings for GPIB-PCII Mode | 2-10 |
| Figure 2-8. GPIB-PCII/IIA Interrupt Jumper Setting for IRQ7 (Default Setting) ... | 2-11 |
| Figure 2-9. GPIB-PCII/IIA Interrupt Jumper Setting for No Interrupts..... | 2-11 |
| Figure 2-10. GPIB-PCII/IIA DMA Jumper Setting for DMA Channel 1 | 2-13 |
| Figure 2-11. GPIB-PCII/IIA DMA Jumper Setting for No DMA Channel | 2-13 |
| Figure 2-12. GPIB-PCII/IIA Ground Configuration Jumper Settings | 2-14 |
| Figure 2-13. Installing the GPIB-PCII/IIA..... | 2-15 |

| | | |
|--------------|--|------|
| Figure 2-14. | GPIB-PCII/IIA That Is Working Properly | 2-16 |
| Figure 2-15. | GPIB-PCII/IIA That Is Not Working Properly | 2-16 |
| Figure 2-16. | GPIB Settings Page for the GPIB-PCII/IIA | 2-18 |
| Figure 2-17. | Device Templates Page for the Logical Device Templates | 2-19 |
| Figure 3-1. | Diagnostic Utility after Testing | 3-1 |
| Figure A-1. | Selecting an Interface to Remove..... | A-2 |
| Figure A-2. | Add/Remove Programs Properties Dialog Box..... | A-3 |
| Figure B-1. | GPIB-PCIIA Mode Selection Setting..... | B-2 |
| Figure B-2. | Base I/O Address Switch Settings for GPIB-PCIIA Mode..... | B-4 |
| Figure B-3. | Default Interrupt Jumper Setting for GPIB-PCIIA Mode | B-6 |
| Figure B-4. | Interrupt Jumper Settings for GPIB-PCIIA Mode | B-7 |
| Figure C-1. | GPIB Interface That Is Not Working Properly | C-3 |

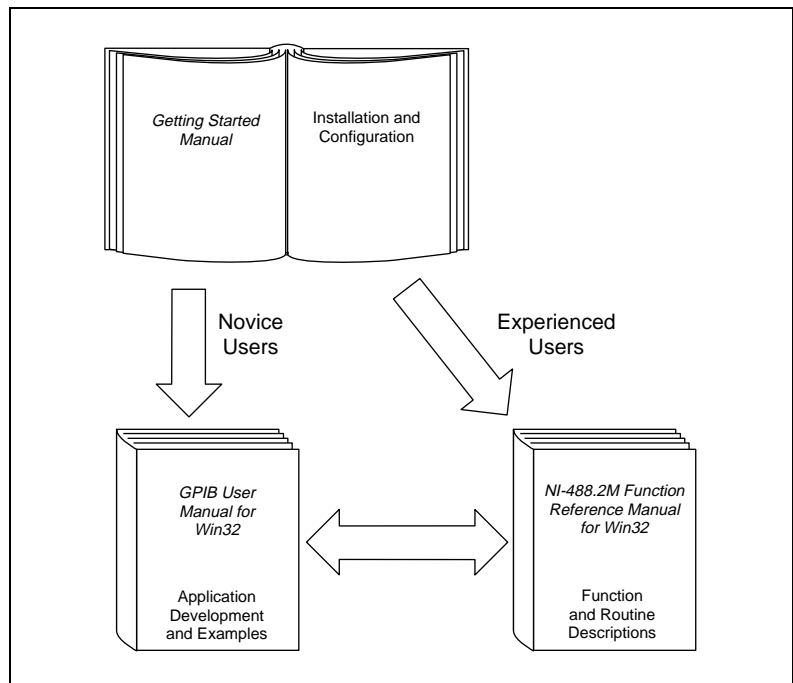
Tables

| | | |
|------------|---|------|
| Table 2-1. | GPIB-PCII/IIA DMA Channel Settings..... | 2-12 |
| Table D-1. | GPIB-PCII/IIA Hardware Characteristics..... | D-1 |
| Table D-2. | GPIB Software Transfer Rate for the GPIB-PCII/IIA | D-2 |

About This Manual

This manual contains instructions to help you install and configure the National Instruments GPIB-PCII/IIA interface board and the GPIB software.

How to Use the Manual Set



Use this getting started manual to install and configure your GPIB-PCII/IIA and the GPIB software.

Use the *GPIB User Manual for Win32* to learn the basics of GPIB and how to develop an application program. The user manual also contains debugging information and detailed examples.

Use the *NI-488.2M Function Reference Manual for Win32* for specific NI-488 function and NI-488.2 routine information, such as format, parameters, and possible errors.



Organization of This Manual

This manual is organized as follows:

- Chapter 1, *Introduction*, explains how to use this manual, lists what you need to get started and optional equipment you can order, and briefly describes the GPIB-PCII/IIA and the GPIB software.
- Chapter 2, *Installation and Configuration*, describes how to install and configure the GPIB-PCII/IIA and the GPIB software.
- Chapter 3, *Verify the Installation*, describes how to verify the hardware and software installation.
- Chapter 4, *Begin to Use the GPIB Software*, helps you get started with the GPIB software.
- Appendix A, *Uninstalling the Hardware and Software*, describes how to uninstall your GPIB-PCII/IIA and the GPIB software.
- Appendix B, *Using the GPIB-PCII/IIA in GPIB-PCIIA Mode*, describes potential problems with using the GPIB-PCII/IIA in GPIB-PCIIA mode and contains instructions for configuring the GPIB-PCII/IIA in GPIB-PCIIA mode.
- Appendix C, *Troubleshooting and Common Questions*, describes how to troubleshoot problems and answers some common questions.
- Appendix D, *Specifications*, describes the physical characteristics of the GPIB-PCII/IIA, the transfer rate of the GPIB software, and the recommended operating conditions.
- Appendix E, *Customer Communication*, contains forms you can use to request help from National Instruments or to comment on our products and manuals.
- The *Glossary* contains an alphabetical list and a description of terms used in this manual, including abbreviations, acronyms, metric prefixes, mnemonics, and symbols.

Conventions Used in This Manual

The following conventions are used in this manual:

- » The » symbol leads you through nested menu items and dialog box options to a final action. The sequence **File»Page Setup»Options»Substitute Fonts** directs you to pull down the **File** menu, select the **Page Setup** item, select **Options**, and finally select the **Substitute Fonts** option from the last dialog box.
-  This icon to the left of bold italicized text denotes a note, which alerts you to important information.
-  This icon to the left of bold italicized text denotes a caution, which advises you of precautions to take to avoid injury, data loss, or a system crash.
- bold** Bold text denotes the names of menus, menu items, dialog boxes, dialog box buttons or options, icons, windows, or Windows tabs.
- bold italic*** Bold italic text denotes a note or caution.
- bold monospace** Bold text in this font denotes the messages and responses that the computer automatically prints to the screen.
- IEEE 488 and IEEE 488.2 IEEE 488 and IEEE 488.2 refer to the ANSI/IEEE Standard 488.1-1987 and the ANSI/IEEE Standard 488.2-1992, respectively, which define the GPIB.
- italic* Italic text denotes disk names, emphasis, a cross reference, or an introduction to a key concept.
- italic monospace* Italic text in this font denotes that you must supply the appropriate words or values in the place of these items.
- monospace Text in this font denotes text or characters that you should literally enter from the keyboard, sections of code, programming examples, and syntax examples. This font is also used for the proper names of disk drives, paths, directories, programs, subprograms, subroutines, device names, functions, operations, variables, filenames and extensions, and for statements and comments taken from programs.

Related Documentation

The following documents contain information that you may find helpful as you read this manual:

- ANSI/IEEE Standard 488.1-1987, *IEEE Standard Digital Interface for Programmable Instrumentation*
- ANSI/IEEE Standard 488.2-1992, *IEEE Standard Codes, Formats, Protocols, and Common Commands*
- *LabVIEW Function and VI Overview Manual*
- *LabVIEW User Manual*
- *LabWindows/CVI Standard Libraries Reference Manual*
- *LabWindows/CVI User Manual*
- Microsoft Windows Online Help, Microsoft Corporation

Customer Communication

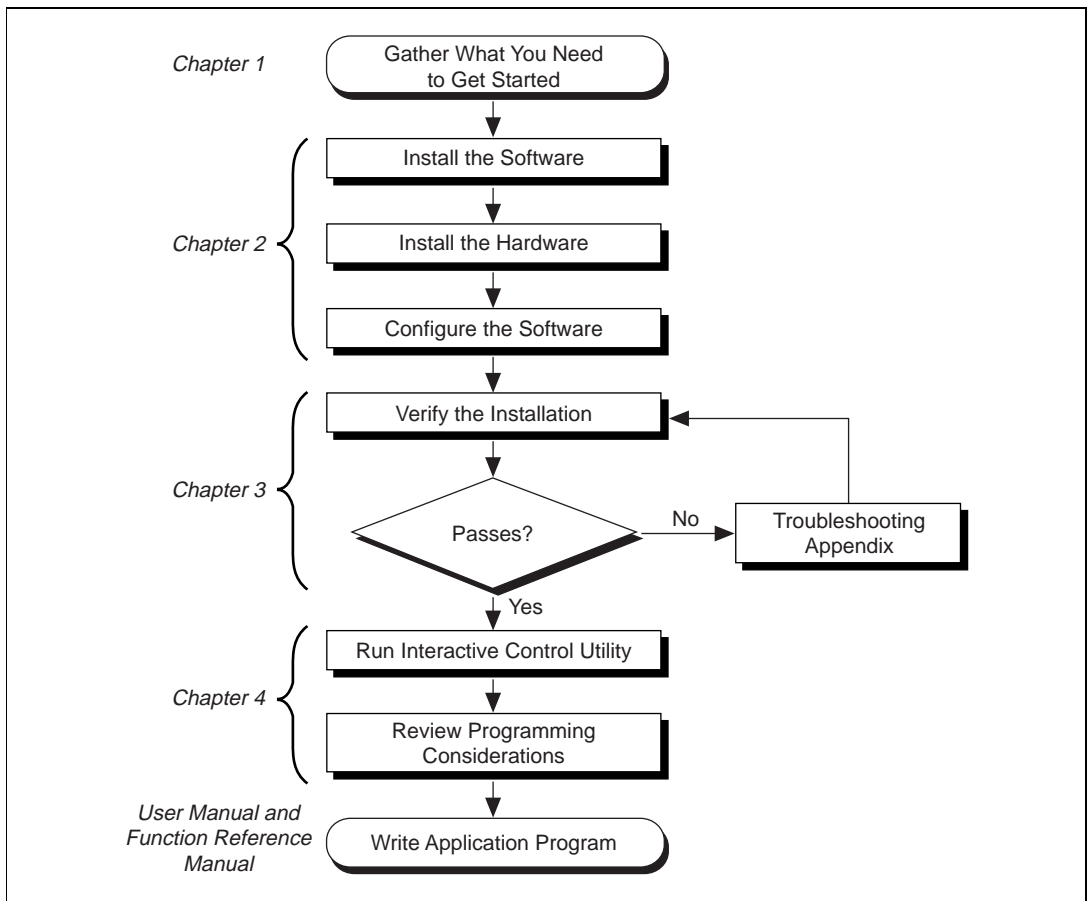
National Instruments wants to receive your comments on our products and manuals. We are interested in the applications you develop with our products, and we want to help if you have problems with them. To make it easy for you to contact us, this manual contains comment and configuration forms for you to complete. These forms are in Appendix E, *Customer Communication*, at the end of this manual.

Introduction

Chapter 1

This chapter explains how to use this manual, lists what you need to get started and optional equipment you can order, and briefly describes the GPIB-PCII/IIA and the GPIB software.

How to Use This Manual



What You Need to Get Started

Make sure you have all of the following items before you attempt to install the hardware and software.

- Windows 95 or later installed on your computer
- GPIB-PCII/IIA interface board
- GPIB Software for Windows NT/98/95* CD, which comes in your kit
- GPIB cables—single shielded or double-shielded, Type X1, X2, or X5, which you can order from National Instruments



Note

If you do not have a CD drive and would like to order the GPIB software on floppy disks, contact National Instruments and order part number 777780-01.

Optional Equipment

Call National Instruments for more information about the following optional equipment:

- Serial or parallel bus extender and cables
- Bus expander/isolator
- GPIB mechanical switch

GPIB-PCII/IIA Hardware Overview

The GPIB-PCII/IIA interface board combines the functionality of the National Instruments GPIB-PCII and GPIB-PCIIA interface boards. It can be configured to function in either GPIB-PCII mode or GPIB-PCIIA mode, depending on the setting of the configuration switches.

The GPIB-PCII/IIA board, equipped with the NAT4882 ASIC, transforms any IBM PC, PC/XT, PC AT, or compatible computer into a full-functioning IEEE 488.2 Talker/Listener/Controller. The NAT4882 controller chip is fully compatible with the IEEE 488.2 standard.

You can use standard GPIB cables to connect the GPIB-PCII/IIA with up to 14 instruments. If you want to use more instruments, you can order a bus extender or expander from National Instruments. Refer to Appendix D, *Specifications*, for more information about the GPIB-PCII/IIA hardware specifications and recommended operating conditions.

GPIB Software Overview

The GPIB software includes a native, 32-bit multitasking driver that is fully Plug and Play aware. Because the GPIB-PCII/IIA is not a Plug and Play board, Windows is unable to detect its addition to or removal from your system dynamically. You must manually inform Windows about the insertion or removal of the GPIB-PCII/IIA from your system. This manual fully describes the insertion and removal procedures for the GPIB-PCII/IIA hardware.

The GPIB software for Windows supports the concurrent use of multiple types of GPIB hardware. For example, you can communicate with GPIB devices through both a GPIB-PCII/IIA and an AT-GPIB/TNT in the same system at the same time. The GPIB software is fully integrated into the Windows operating system. It is configurable through the System applet and uninstallable through the Add/Remove Programs applet of the Control Panel.

The GPIB software, along with the GPIB-PCII/IIA, transforms a general-purpose PC into a GPIB Talker/Listener/Controller with complete communications and bus management capability. The GPIB software includes the following components:

- Device driver
- Diagnostic test utility
- Configuration utility
- Interactive control program
- Utilities for software development
- Language interface libraries for Microsoft Visual C/C++ 2.0 or later, Borland C/C++ 4.0 or later, and Microsoft Visual Basic 4.0 or later
- Sample applications that use NI-488 functions and NI-488.2 routines

Refer to Appendix D, *Specifications*, for information about the GPIB software transfer rates.

Time-Saving Development Tools

Your kit includes the GPIB software. In addition, you can order the LabWindows/CVI or LabVIEW software from National Instruments to speed your application development time and make it easier to communicate with your instruments.

LabVIEW is an easy-to-use, graphical programming environment you can use to acquire data from thousands of different instruments, including IEEE 488.2 devices, VXI devices, serial devices, PLCs, and plug-in data acquisition boards. After you have acquired raw data, you can convert it into meaningful results using the powerful data analysis routines in LabVIEW. LabVIEW also comes with hundreds of instrument drivers, which dramatically reduce software development time, because you do not have to spend time programming the low-level control of each instrument.

LabWindows/CVI is similar to LabVIEW, except that it combines an interactive, easy-to-use development approach with the programming power and flexibility of compiled ANSI C code.

The GPIB Analyzer is another optional tool available from National Instruments that is useful in troubleshooting a variety of IEEE 488 hardware and software problems. With its built-in time-stamping capability, you can easily determine the throughput and overhead of your GPIB system. The GPIB Analyzer software can be used with the AT-GPIB/TNT+ and PCMCIA-GPIB+ GPIB hardware, which provide GPIB Analyzer support along with the functionality of a high-performance GPIB Controller.

For ordering information, or to request free demonstration software, contact National Instruments.

Installation and Configuration

Chapter

2

This chapter describes how to install and configure the GPIB-PCII/IIA and the GPIB software.

Install the GPIB Software

Before installing the hardware, complete the following steps to install the GPIB software.

1. Insert the CD *GPIB Software for Windows NT/98/95*. The CD autoplay feature automatically launches the setup wizard.

The setup wizard guides you through the necessary steps to install the GPIB software. You can go back and change values where appropriate by clicking on the **Back** button. You can exit the setup if necessary by clicking on the **Cancel** button.



Note

If you do not have a CD drive and would like to order the GPIB software on floppy disks, contact National Instruments and order part number 777780-01.

2. When the setup is complete, restart Windows.

Proceed to the next section, *Install the Hardware*.

Install the Hardware

This section describes how to install your GPIB-PCII/IIA board under Windows.

Remove System-Reserved Resources

If you have previously installed the GPIB Compatibility Release for Windows 98/95, you should remove any system-reserved resources for your GPIB-PCII/IIA. Refer to the [Removing System-Reserved Resources](#) section in Appendix C, *Troubleshooting and Common Questions*.

System-reserved resources are only acquired manually. If you did not use the Device Manager to acquire system-reserved resources, you do not need to use the Device Manager to remove such resources.

Identify Resources for the GPIB-PCII/IIA

Before installing the GPIB-PCII/IIA, use the **Add New Hardware Wizard** to inform Windows about the new hardware you are about to install in your system.

1. Select **Start»Settings»Control Panel**.
2. Launch the **Add New Hardware Wizard** by double-clicking on the **Add New Hardware** icon.
3. Click on the **Next** button in the first **Add New Hardware Wizard** dialog box.
4. Because the GPIB-PCII/IIA is not a Plug and Play interface, Windows is unable to detect its presence automatically.

Windows 95:

When the next **Add New Hardware Wizard** dialog box offers to detect new hardware, check **No** instead of **Yes (Recommended)**, then click on the **Next** button to continue.

Windows 98:

- a. Click on the **Next** button in the next **Add New Hardware Wizard** dialog box.
 - b. In the next dialog box, check **No, the device isn't in the list**, then click on the **Next** button to continue.
 - c. In the next dialog box, check **No, I want to select the hardware from a list**, then click on the **Next** button to continue.
5. The next **Add New Hardware Wizard** dialog box lets you select the type of hardware you want to install. Select the **Other Devices** item, as shown in Figure 2-1. You may select the **National Instruments GPIB Interfaces** item instead, if it appears in the dialog box. Click on the **Next** button to continue.

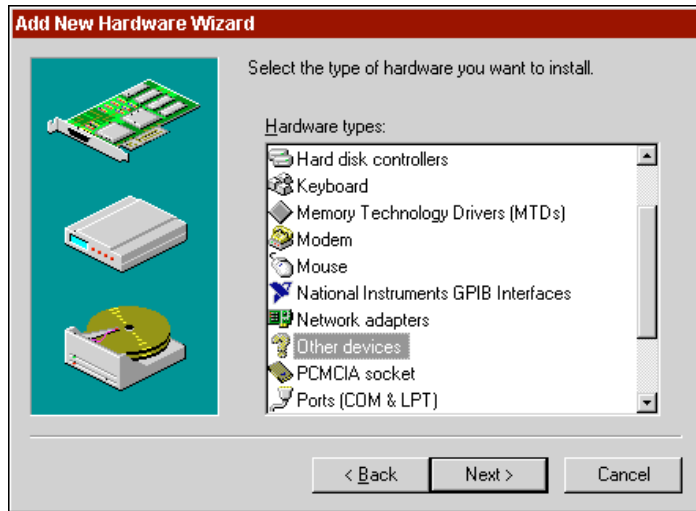


Figure 2-1. Add New Hardware Wizard Hardware Selection

6. The next **Add New Hardware Wizard** dialog box lets you select the manufacturer and model of your hardware. Select **National Instruments** as the manufacturer.
7. Decide whether you will use the GPIB-PCII/IIA in GPIB-PCII mode or GPIB-PCIIA mode. Both modes have the same capabilities, but the two modes use different regions of I/O space.



Note

National Instruments recommends that you use GPIB-PCII mode.

For an explanation of why GPIB-PCIIA mode is not recommended, read the [Problems Using the GPIB-PCII/IIA in GPIB-PCIIA Mode](#) section in Appendix B, [Using the GPIB-PCII/IIA in GPIB-PCIIA Mode](#).

8. Select the model of your hardware, either **GPIB-PCII** or **GPIB-PCIIA**, and click on the **Next** button to continue. Windows attempts to assign nonconflicting resources to the GPIB-PCII/IIA. If Windows is able to assign resources successfully, the next **Add New Hardware Wizard** dialog box describes the resources

assigned to the GPIB-PCII/IIA, as shown in the example dialog box in Figure 2-2. Skip to Step 9 to proceed.

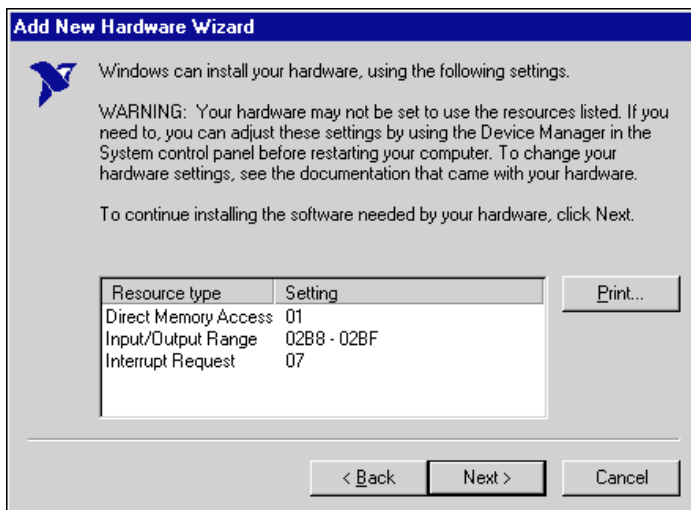


Figure 2-2. GPIB-PCII/IIA Resources Assigned Successfully

If Windows is unable to assign resources successfully, the next **Add New Hardware Wizard** dialog box explains the problem, as shown in Figure 2-3.



Figure 2-3. GPIB-PCII/IIA Resources Not Assigned Successfully

If this dialog box appears, click on the **Next** button to continue, then click on **Start Conflict Troubleshooter** to let Windows help you determine how to resolve the conflicts that are preventing it from assigning resources. Follow the steps recommended by the Conflict Troubleshooter help.

When you reach the step of looking for nonconflicting resources for the GPIB-PCII/IIA, you need to change the **Setting based on** selection on the **Resources** tab of the **GPIB-PCII/IIA Properties** dialog box. Figure 2-4 shows the **Resources** tab for a GPIB-PCII/IIA in GPIB-PCII mode.

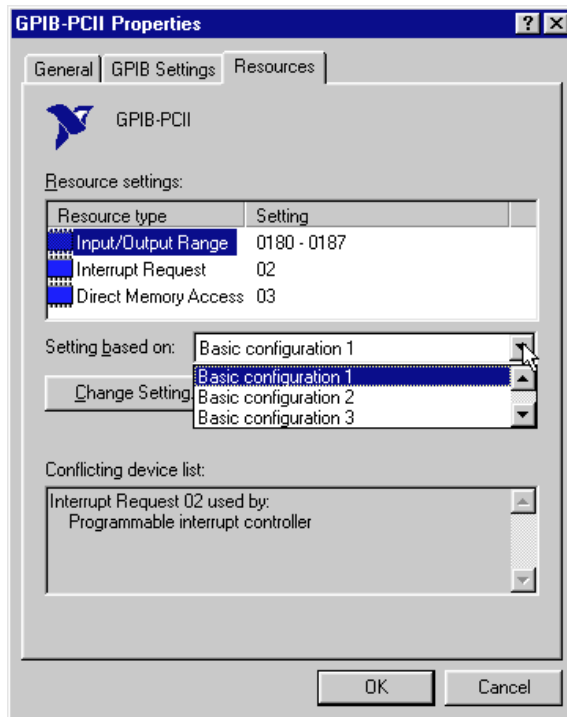


Figure 2-4. GPIB-PCII/IIA Resources Settings

Continue following the instructions provided by the Conflict Troubleshooter to resolve the conflicts.

9. Write down the conflict-free resources that Windows assigned to the GPIB-PCII/IIA.
10. Shut down Windows.

Configure the GPIB-PCII/IIA in GPIB-PCII Mode



Note

If you are using the GPIB-PCII/IIA in GPIB-PCII mode, refer to the [Configure the GPIB-PCII/IIA in GPIB-PCII Mode](#) section in Appendix B, [Using the GPIB-PCII/IIA in GPIB-PCII Mode](#), for instructions on how to configure the hardware.



Caution

Electrostatic discharge can damage several components on the GPIB-PCII/IIA. To avoid such damage in handling the board, touch the antistatic plastic package to a metal part of your computer chassis before removing the board from the package.

Verify GPIB-PCII Mode

Make sure that your GPIB-PCII/IIA is configured for GPIB-PCII mode. Examine switch 9 in switch block U2. Refer to Figure 2-5 to find switch block U2.

Verify that switch 9 is pressed down on the side labeled PCII, as shown in Figure 2-6.

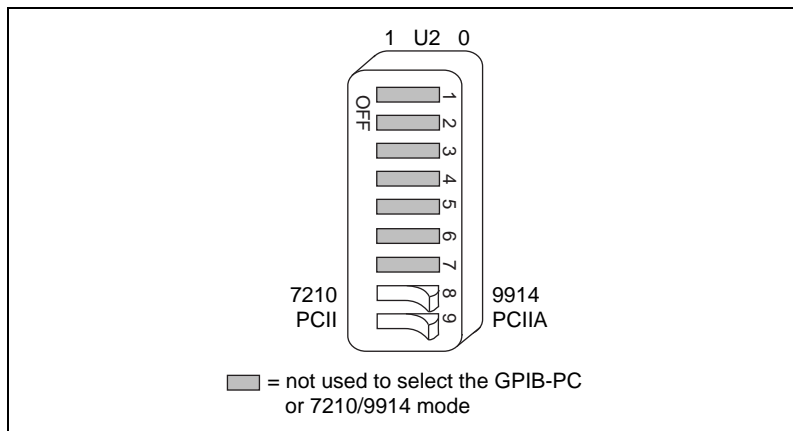


Figure 2-6. GPIB-PCII Mode Selection Setting

Verify 7210 Mode

The GPIB-PCII/IIA can emulate IEEE 488 interface boards that use the 7210 GPIB Controller chip or the 9914 chip. Examine switch 8 in switch block U2. Verify that switch 8 is pressed down on the side labeled 7210, as shown in Figure 2-6.



Note

The National Instruments GPIB software requires the board to be in 7210 mode.

Configure the Hardware Resources

Configure the GPIB-PCII/IIA jumpers and switches to match the resources assigned to it by Windows. If the resources assigned to it match the default settings, you are ready to install the GPIB-PCII/IIA. The default settings for GPIB-PCII mode are:

- Input/Output Range: 2B8-2BF
- Direct Memory Access: 1
- Interrupt Request: 7

If the resources match the default settings, proceed to the *Install the GPIB-PCII/IIA* section, later in this chapter.

If the resources do not match the default settings, you must reconfigure the jumpers and switches, as described in the next few sections, to match the resources assigned to the GPIB-PCII/IIA by Windows.

Configure the Input/Output Range (GPIB-PCII Mode)

An Input/Output Range is a segment of address space reserved for the input and output of a board. The base I/O address of an Input/Output Range is the first position in the Input/Output Range used by the plug-in interface board. By default, the GPIB-PCII/IIA is configured to use base I/O address 2B8 hex. With this setting, the board uses an Input/Output Range of 2B8 hex to 2BF hex.

Follow these steps to reconfigure the base I/O address of the GPIB-PCII/IIA.

1. Locate the base I/O address switch at U2 on your GPIB-PCII/IIA board. Refer to Figure 2-5.
2. Change the switch settings to configure the GPIB-PCII/IIA board to match the base I/O address of the Input/Output Range assigned by Windows.

Press down on the side marked 1 to select a binary value of 1 for the corresponding address bit. Press down on the 0 side of the switch to select a binary value of 0. Refer to Figure 2-7 for two examples of the switch settings and corresponding base I/O addresses.

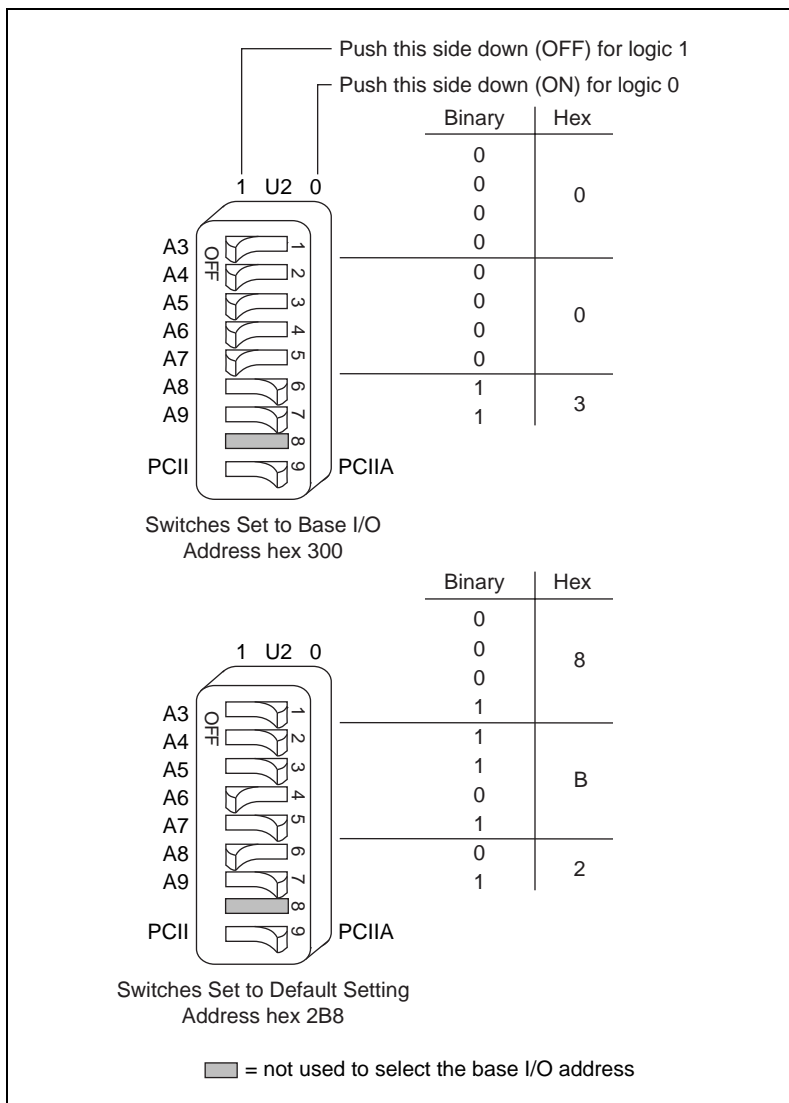


Figure 2-7. Base I/O Address Switch Settings for GPIB-PCII Mode

Configure the Interrupt Request (GPIB-PCII Mode)

PC-compatible computers have a series of interrupt lines available to devices. Devices use interrupts to get service from the CPU for asynchronous events. Your GPIB hardware and software use interrupts to get service from the CPU when necessary. By default, the GPIB-PCII/IIA is configured to use interrupt request line 7.



Note

If no interrupt lines are available for your GPIB hardware, the jumper must be moved to the disabled position, shown in Figure 2-9.

Follow these steps to reconfigure the interrupt request line:

1. Find the jumpers that set the interrupt request line. The jumpers are located on the lower edge of your GPIB-PCII/IIA. Refer to Figure 2-5.
2. Change the jumper settings to configure the GPIB-PCII/IIA to match the interrupt assigned by Windows. Figure 2-8 shows the setting for IRQ7.

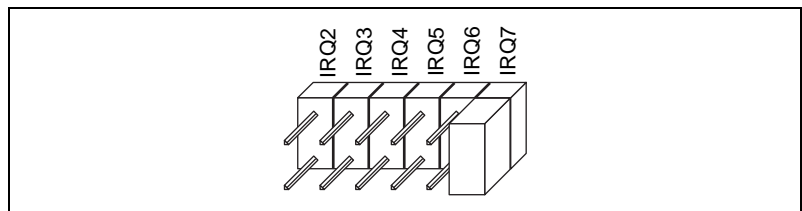


Figure 2-8. GPIB-PCII/IIA Interrupt Jumper Setting for IRQ7 (Default Setting)

Figure 2-9 shows the setting for disabled interrupts.

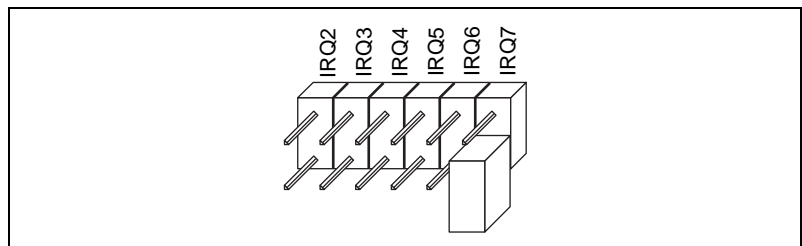


Figure 2-9. GPIB-PCII/IIA Interrupt Jumper Setting for No Interrupts

Configure the Direct Memory Access

Direct memory access (DMA) refers to data transfers directly to or directly from devices such as the GPIB-PCII/IIA and computer memory. Your GPIB hardware and the GPIB software are designed to perform DMA. In most cases, data transfers using DMA are significantly faster than programmed I/O transfers. However, if Windows is unable to assign a DMA resource to the GPIB-PCII/IIA, you can configure DMA to none and still use the GPIB software. By default, the GPIB-PCII/IIA is configured to use DMA channel 1.

Follow these steps to reconfigure the DMA channel:

1. Locate the jumpers that select the DMA channel. Refer to Figure 2-5.
2. Change the jumper settings to configure the GPIB-PCII/IIA to match the DMA channel assigned by Windows. You must set both the DMA Acknowledge and DMA Request lines, as shown in Table 2-1.

Table 2-1. GPIB-PCII/IIA DMA Channel Settings

| DMA Channel | Signal Lines | |
|-------------|-----------------|-------------|
| | DMA Acknowledge | DMA Request |
| 1 | DACK1 | DRQ1 |
| 2 | DACK2 | DRQ2 |
| 3 | DACK3 | DRQ3 |
| none | — | — |

Figure 2-10 shows the jumper position for selecting DMA channel 1.

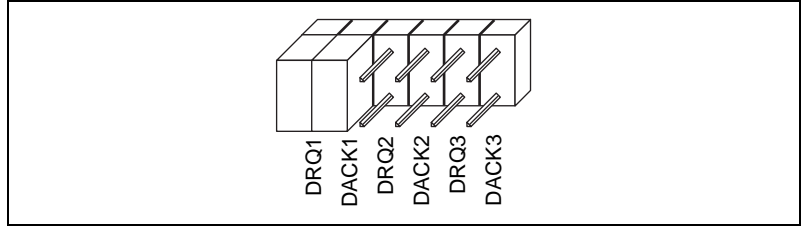


Figure 2-10. GPIB-PCII/IIA DMA Jumper Setting for DMA Channel 1

Figure 2-11 shows the jumper position for selecting no DMA channel.

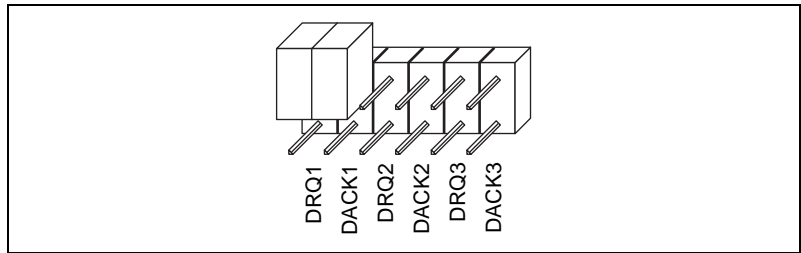


Figure 2-11. GPIB-PCII/IIA DMA Jumper Setting for No DMA Channel

Setting the Shield Ground Configuration

The GPIB-PCII/IIA is set at the factory with the jumper in place to connect the logic ground of the GPIB-PCII/IIA to its shield ground. This configuration minimizes EMI emissions.



Caution

The GPIB-PCII/IIA was tested for compliance with FCC and CE standards with the shield ground connected to logic ground. Removing the jumper might cause EMI emissions to exceed the applicable standards.

If your application requires that logic ground be disconnected from shield ground, follow these steps:

1. Refer to Figure 2-5 to locate the shield ground jumper W1 on the GPIB-PCII/IIA.
2. Remove the jumper and place it across only one of the jumper pins, as shown in Figure 2-12.

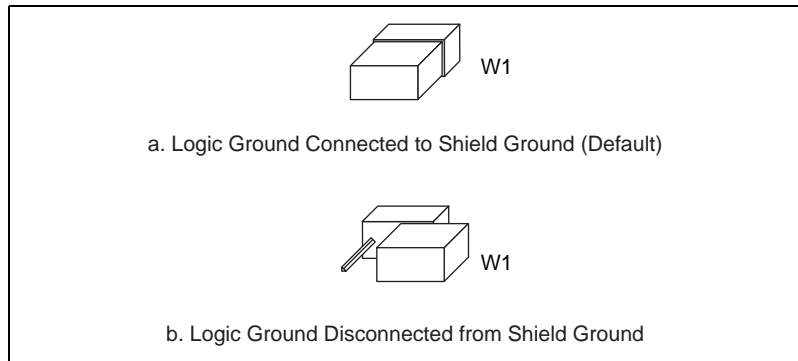


Figure 2-12. GPIB-PCII/IIA Ground Configuration Jumper Settings

Now that you have properly configured the hardware, continue on to the *Install the GPIB-PCII/IIA* section for installation instructions.

Install the GPIB-PCII/IIA

Perform the following steps to install the GPIB-PCII/IIA:

1. Shut down Windows and turn off your computer. Keep the computer plugged in so that it remains grounded while you install the GPIB hardware.
2. Remove the top cover (or other access panels) to give yourself access to the computer expansion slots.
3. Find an unused expansion slot in your computer.
4. Remove the corresponding slot cover on the back panel of the computer.
5. Insert the GPIB-PCII/IIA into the slot with the GPIB connector sticking out of the opening on the back panel, as shown in Figure 2-13. It might be a tight fit, but do not force the board into place.

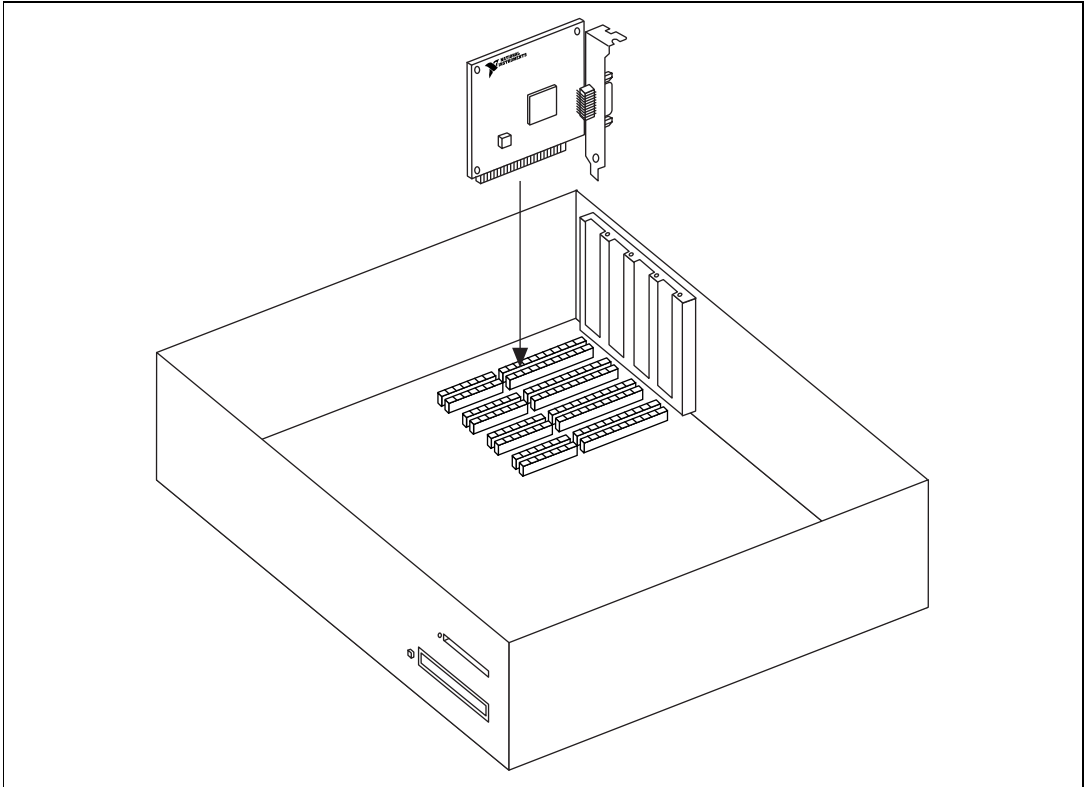


Figure 2-13. Installing the GPIB-PCII/IIA

6. Screw the mounting bracket of the GPIB-PCII/IIA to the back panel rail of the computer.
7. Replace the top cover (or the access port to the expansion slot).
8. Turn on your computer and start Windows.

The GPIB-PCII/IIA hardware installation is now complete. Proceed to the next section, *Configure the GPIB Software*.

Configure the GPIB Software

The GPIB Configuration utility is fully integrated with the Windows Device Manager. You can use it to examine or modify the configuration of the GPIB software. The context-sensitive online help, available by right-clicking on any of the controls on the configuration utility tabs,

includes all of the information that you need to configure the GPIB software properly.

To begin to configure the GPIB software, double-click on the **System** icon under **Start»Settings»Control Panel**. In the **System Properties** dialog box that appears, select the **Device Manager** tab, click on the **View devices by type** button at the top of the tab, and scroll down to the **National Instruments GPIB Interfaces** icon.

Resolve Conflicts

If you have other non Plug and Play hardware in your system, Windows might assign incorrect resources to your GPIB-PCII/IIA. If this happens, Windows shows that the GPIB-PCII/IIA is not working, and you must reconfigure the GPIB-PCII/IIA module and the GPIB software.

On the **Device Manager** page, look at the items listed under the **National Instruments GPIB Interfaces** icon. If there is no **National Instruments GPIB Interfaces** icon or if a circled X or exclamation point (!) appears through the eagle icon, the GPIB-PCII/IIA is not working properly. Figure 2-14 shows an example of a GPIB-PCII/IIA that is working properly, and Figure 2-15 shows an example of a GPIB-PCII/IIA that is not working properly.

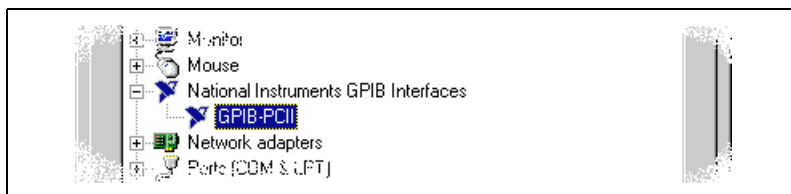


Figure 2-14. GPIB-PCII/IIA That Is Working Properly

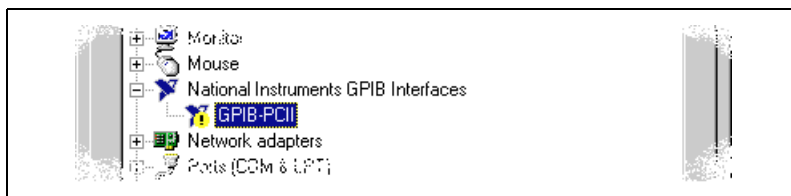


Figure 2-15. GPIB-PCII/IIA That Is Not Working Properly

You can see if the problem is a resource conflict by looking at what resources are conflicting, if the GPIB-PCII/IIA appears under the **National Instruments GPIB Interfaces** icon. Double-click on the GPIB-PCII/IIA name and click on the **Resources** tab, which provides information about the hardware resources assigned to the GPIB-PCII/IIA. The **Conflicting Device List** lists any conflicts. If conflicts exist, use the **Setting based on** drop-down list and the **Change Setting** button to select conflict-free resources for the GPIB-PCII/IIA.

If you cannot find conflict-free resources for the GPIB-PCII/IIA, or if no conflicts are listed, refer to the *Troubleshooting Device Manager Problems* section of Appendix C, *Troubleshooting and Common Questions*, to resolve the problem.

Assign an Interface Name

If you are using more than one interface, you must configure the GPIB software to associate a logical name (GPIB0, GPIB1, and so on) with each physical GPIB interface. Follow these steps:

1. Double-click on the first interface listed immediately below **National Instruments GPIB Interfaces**.
2. Click on the **GPIB Settings** tab, which provides information about the software configuration for the GPIB-PCII/IIA.
3. Use the **Interface Name** drop-down box to select a logical name (GPIB0, GPIB1, and so on) for the GPIB-PCII/IIA.
4. Repeat this process for each interface you need to configure.

Figure 2-16 shows the **GPIB Settings** page for a GPIB-PCII/IIA.

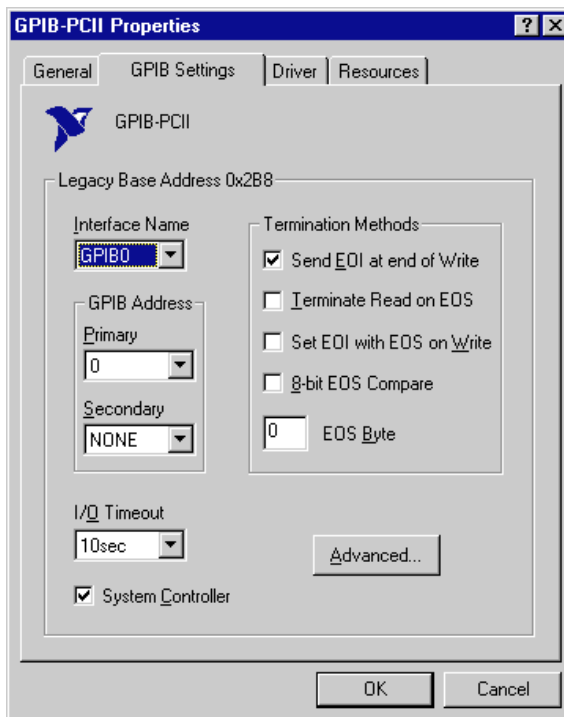


Figure 2-16. GPIB Settings Page for the GPIB-PCII/IIA

View or Modify Logical Device Templates (Optional)

If you want to examine or modify the logical device templates for the GPIB software, select the **National Instruments GPIB Interfaces** icon from the **Device Manager** page, and click on the **Properties** button. Select the **Device Templates** tab to view the logical device templates, as shown in Figure 2-17.

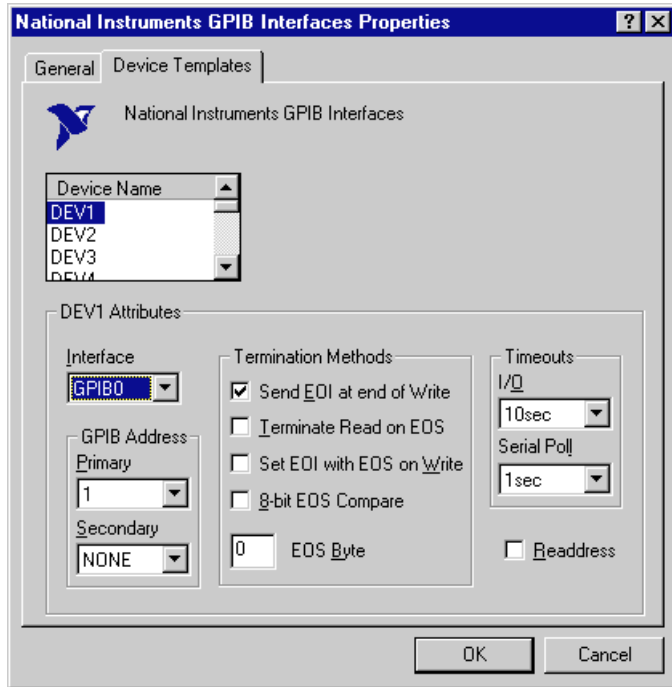


Figure 2-17. Device Templates Page for the Logical Device Templates

Verify the Installation

Chapter 3

This chapter describes how to verify the hardware and software installation.

You can use the Diagnostic utility, installed with your GPIB software, to test the hardware and software installation. The utility verifies that your hardware and software are functioning properly and that the configuration of your GPIB interfaces does not conflict with anything else in your system.

To run the utility, select the **Diagnostic** item under **Start»Programs»National Instruments GPIB**.

When you have started the Diagnostic utility, test your GPIB interfaces by clicking on the **Test All** button. If the Diagnostic is successful, it puts a checkmark next to the interface and changes its status from **untested** to **passed**. If the Diagnostic fails, it puts an X next to the interface, and changes its status from **untested** to **failed**. Figure 3-1 shows the Diagnostic utility after it has tested some GPIB interfaces.

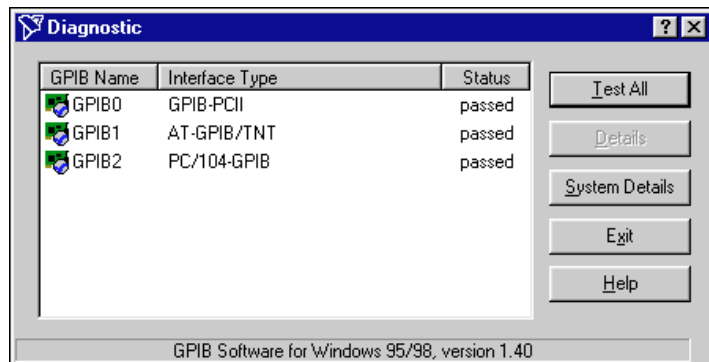
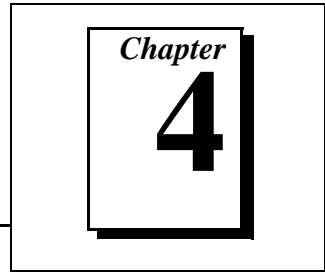


Figure 3-1. Diagnostic Utility after Testing

You can get details on any tested GPIB interface by selecting the interface and clicking on the **Details** button. For each failed GPIB interface, select it and click on the **Details** button to get a description of the failure. Use that information and the information in Appendix C, *Troubleshooting and Common Questions*, to troubleshoot the problem. Troubleshooting information is also available in the online help for the Diagnostic utility, which you can access by clicking on the **Help** button.

Begin to Use the GPIB Software



This chapter helps you get started with the GPIB software.

Getting Started with LabVIEW

LabVIEW is a fully-functional graphical programming environment used to develop measurement and automation applications. LabVIEW features comprehensive libraries for instrument control, data analysis, and data presentation. If you already installed LabVIEW, you can use the LabVIEW GPIB functions without any additional installation. To learn about the basic concepts of GPIB communication, refer to the LabVIEW GPIB functions chapter in the *LabVIEW User Manual*. To learn more about each GPIB function, refer to the *LabVIEW Function and VI Overview Manual* and the online help.

National Instruments provides LabVIEW instrument drivers to simplify application development. Instrument drivers are high-level functions that eliminate the need to learn the complex, low-level programming commands for each instrument. For more information, refer to Chapter 7, *Getting Started with a LabVIEW Instrument Driver*, in the *LabVIEW User Manual*. If you want to write your own instrument driver, National Instruments provides application notes that help you get started.

To use instrument drivers in LabVIEW, select the **Instrument Wizard** from the **Project** menu.

For more information about National Instruments products, refer to our web site at <http://www.natinst.com/products/>.

Getting Started with LabWindows/CVI

LabWindows/CVI is an interactive C development environment used to build measurement and automation applications. It provides comprehensive libraries for instrument control, data analysis, and data presentation. If you already installed LabWindows/CVI, you can use the LabWindows/CVI GPIB Library without any additional installation. The

LabWindows/CVI GPIB Library includes the functions documented in your NI-488.2 or NI-488.2M reference manual, as well as several additional functions, which are documented in the GPIB library chapter of the *LabWindows/CVI Standard Libraries Reference Manual*. To help you use the GPIB functions, LabWindows/CVI provides function panels for the GPIB Library. To access the function panels, select **GPIB/GPIB 488.2** from the **Library** menu of the **Project** or **Source** windows. For information about using function panels, refer to the function panels chapter in the *LabWindows/CVI User Manual*.

If you need to program a GPIB instrument, you might want to use an instrument driver. An instrument driver is a set of high-level C functions for controlling a specific instrument. The low-level steps to control the instrument and read data are encapsulated in the high-level functions. You can write an instrument driver yourself, or you can use one that is already written. When you purchase LabWindows/CVI, you get free access to a library of drivers for hundreds of instruments. For more information about instrument drivers, refer to the project window chapter in the *LabWindows/CVI User Manual*.

For more information about National Instruments products, please refer to our web site at <http://www.natinst.com/products/>.

Introduction to the Win32 Interactive Control Utility

You can use the interactive control utility to enter NI-488 functions and NI-488.2 routines interactively and see the values returned by the function calls. You can use the utility to do the following:

- Verify GPIB communication with your device.
- Learn the NI-488 functions and NI-488.2 routines before you write your application.
- Become familiar with the commands of your device.
- Receive data from your GPIB device.
- Troubleshoot problems with your application.

To run this utility, select the **Win32 Interactive Control** item under **Start»Programs»National Instruments GPIB**. This utility includes extensive online help, available by entering `help` at the `:` prompt.

For more information about the Win32 Interactive Control utility, refer to the *GPIB User Manual for Win32*.

Introduction to the NI Spy Utility

Included with the GPIB software is NI Spy, a Win32 utility that can be used to monitor NI-488.2 calls made by Win32, Win16, and DOS GPIB applications. You can use NI Spy to do the following:

- Capture information about NI-488 functions and NI-488.2 routines as they are invoked by your GPIB applications.
- Display captured information, including, but not limited to, input and output parameter values, I/O buffer contents, and return values.
- Save, restore, and print captured information.

To run NI Spy, select the **NI Spy** item under **Start»Programs»National Instruments GPIB**. For more information about the NI Spy utility, refer to Chapter 5, *NI Spy Utility*, in the *GPIB User Manual for Win32*, or use its built-in, context-sensitive online help.

Running Existing DOS GPIB Applications

With the GPIB software properly configured, you can run your existing DOS GPIB applications along with your Win16 and Win32 applications. No DOS device driver is required. In fact, make sure that no older version of the GPIB DOS device driver is being loaded from your `config.sys` file, a file located on the boot drive of your computer.



Note

To determine if `config.sys` is loading an older GPIB DOS driver, look for the line `device=path\gplib.com` in your `config.sys` file, where `path` refers to the drive and directory where `gplib.com` is located. If that line appears, either comment it out by typing `REM` at the beginning of the line, or delete it. If you change the `config.sys` file, save it and restart your system.

To configure the GPIB software to run existing DOS GPIB applications, first make sure that you have installed the GPIB software and your GPIB hardware. Then complete the following steps:

1. Double-click on the **System** icon under **Start»Settings»Control Panel**.
2. In the **System Properties** dialog box that appears, select the **Device Manager** tab.
3. Click on the **View devices by type** button at the top of the page.
4. Click on the **National Instruments GPIB Interfaces** icon.

5. Click on the **Properties** button to display the **General** property page for the GPIB software.
6. Select the checkbox labeled **Enable Support for DOS GPIB Applications**, and click on the **OK** button.
7. Restart your computer.

After you restart your computer, you can begin to run your existing DOS GPIB applications.

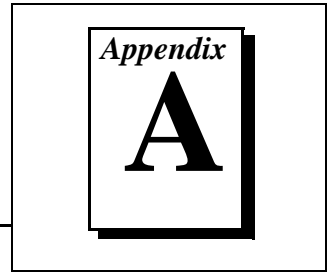
General Programming Considerations

As you begin developing your Win32 GPIB application, remember the following points:

- For your C/C++ application, you must include the GPIB header file, `decl-32.h`, in your source code.
- The GPIB software is accessed through the 32-bit DLL, `gpib-32.dll`, either by linking with one of the language interfaces provided with the GPIB software, or by using direct DLL entry from other programming environments.
- Several sample GPIB applications are included with the GPIB software. Use these as a guide for your own application development.

For information about choosing a programming method, developing your application, or compiling and linking, refer to the *GPIB User Manual for Win32*. For detailed information about each NI-488 function and NI-488.2 routine, refer to the *NI-488.2M Function Reference Manual for Win32* or the online help file, which you can access by selecting **Start»Programs»National Instruments GPIB»GPIB32 Help**.

Uninstalling the Hardware and Software



This appendix describes how to uninstall your GPIB-PCII/IIA and the GPIB software.

Uninstalling the Hardware

Before you physically remove the GPIB-PCII/IIA hardware from your system, you must remove the hardware information from the Windows Device Manager. Complete the following steps to remove the hardware information:

1. Select **Start»Settings»Control Panel** and double-click on the **System** icon.
2. In the **System Properties** dialog box, select the **Device Manager** tab, click on the **View devices by type** button, and double-click on the **National Instruments GPIB Interfaces** icon.
3. Select the interface you want to remove from the **National Instruments GPIB Interfaces** list, as shown in Figure A-1. Click on the **Remove** button to remove the hardware information.
4. Click on the **OK** button, shut down Windows, turn off your system, and physically remove the interface from your system.

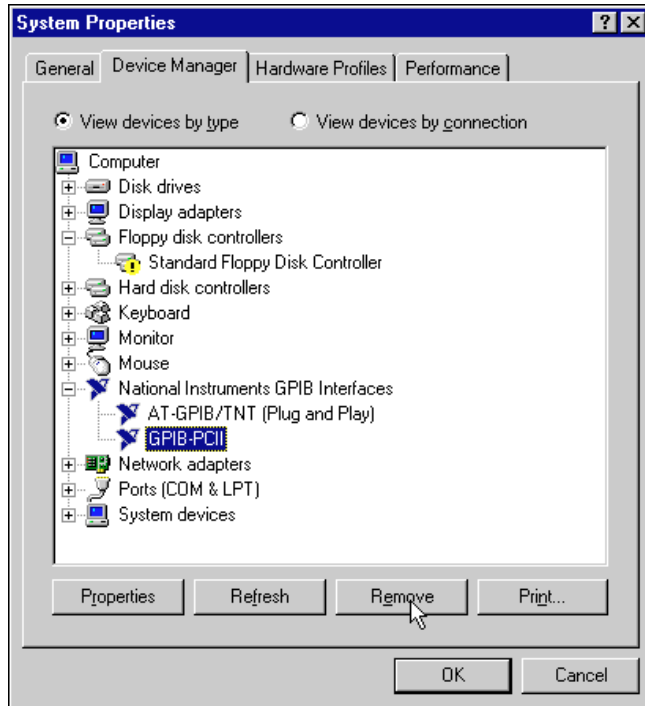


Figure A-1. Selecting an Interface to Remove

Uninstalling the Software

Before you uninstall the GPIB software, you should remove all GPIB hardware information from the Windows Device Manager, as described in the previous section. Complete the following steps to uninstall the GPIB software:

1. Select **Start»Settings»Control Panel** and double-click on the **Add/Remove Programs** icon. The dialog box shown in Figure A-2 lists the software available for removal.

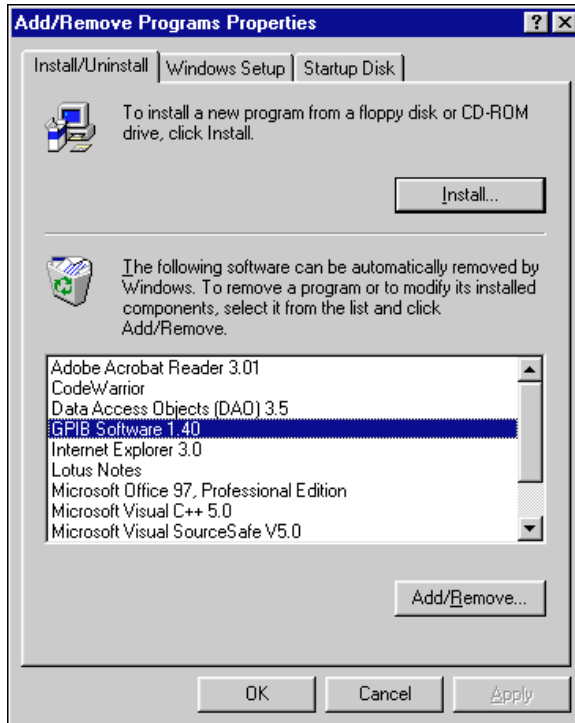


Figure A-2. Add/Remove Programs Properties Dialog Box

2. Select the GPIB software you want to remove and click on the **Add/Remove** button. The uninstall program removes all folders, programs, VxDs, DLLs, and registry entries associated with the GPIB software.

If you have not physically removed your hardware, shut down Windows, turn off your system, and remove the GPIB-PCII/IIA hardware.

The uninstall program removes only items that the GPIB setup program installed. If you add anything to a directory that was created by the GPIB setup program, the uninstall program does not delete that directory, because the directory is not empty after the uninstallation. You will need to remove any remaining components yourself.

If you want to reinstall the GPIB hardware and software, refer to Chapter 2, *Installation and Configuration*.

Using the GPIB-PCII/IIA in GPIB-PCIIA Mode

A graphic consisting of a large, bold, black letter 'B' centered within a white square. The square is enclosed in a thick black border. Above the 'B', the word 'Appendix' is written in a smaller, italicized font.

This appendix describes potential problems with using the GPIB-PCII/IIA in GPIB-PCIIA mode and contains instructions for configuring the GPIB-PCII/IIA in GPIB-PCIIA mode.

Problems Using the GPIB-PCII/IIA in GPIB-PCIIA Mode

The GPIB software allows you to install your GPIB-PCII/IIA board for use in GPIB-PCIIA mode. The next section, *Configure the GPIB-PCII/IIA in GPIB-PCIIA Mode*, describes the specific configuration settings for GPIB-PCIIA mode. However, you should be aware of a potential problem when using your board in GPIB-PCIIA mode under Windows.

The problem is with the Windows Device Manager. The Device Manager does not reliably report base address conflicts involving the GPIB-PCII/IIA in GPIB-PCIIA mode. Additionally, the Device Manager fails to display all of the I/O addresses used by the GPIB-PCII/IIA in GPIB-PCIIA mode. Therefore, a base address conflict may go unchecked when using your board in GPIB-PCIIA mode. Base address conflicts can cause your computer to hang or otherwise behave unreliably.

Therefore, it is safest to use the board only in GPIB-PCII mode, not in GPIB-PCIIA mode. The *Install the Hardware* section of Chapter 2, *Installation and Configuration*, explains how to install and configure your GPIB-PCII/IIA for use in GPIB-PCII mode.

Configure the GPIB-PCII/IIA in GPIB-PCIIA Mode

This section describes how to configure your GPIB-PCII/IIA board for use in GPIB-PCIIA mode under Windows.



Caution *Electrostatic discharge can damage several components on the GPIB-PCII/IIA. To avoid such damage in handling the board, touch the antistatic plastic package to a metal part of your computer chassis before removing the board from the package.*

Verify GPIB-PCIIA Mode

Make sure that your GPIB-PCII/IIA is configured for use in GPIB-PCIIA mode. Examine switch 9 in switch block U2. Verify that switch 9 is pressed down on the side labeled PCIIA, as shown in Figure B-1.

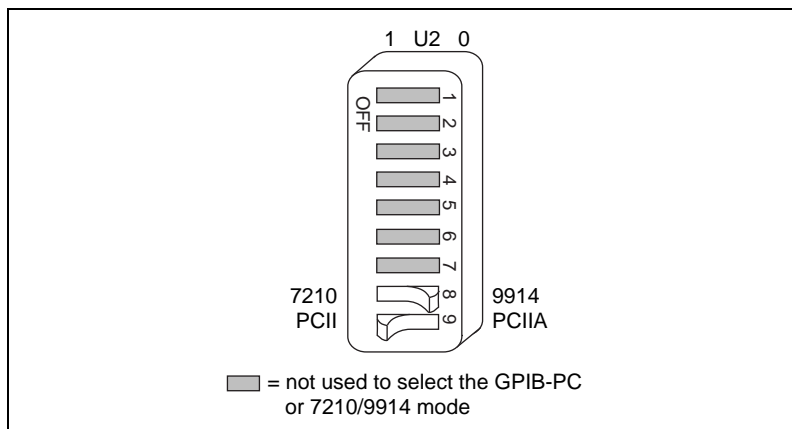


Figure B-1. GPIB-PCIIA Mode Selection Setting

Verify 7210 Mode

The GPIB-PCII/IIA can emulate IEEE 488 interface boards that use the 7210 GPIB Controller chip or the 9914 chip. Examine switch 8 in switch block U2. Verify that switch 8 is pressed down on the side labeled 7210, as shown in Figure B-1.



Note *The National Instruments GPIB software requires the board to be in 7210 mode.*

Configure the Hardware Resources

Configure the GPIB-PCII/IIA jumpers and switches to match the resources assigned to it by Windows. If the resources assigned to it match the default settings, you are ready to install the GPIB-PCII/IIA.

The default settings for GPIB-PCIIA mode are:

- Input/Output Range: 2E1
- Interrupt Request: 7
- Direct Memory Access: 1

If the resources match the default settings, proceed to the *Install the GPIB-PCII/IIA* section in Chapter 2, *Installation and Configuration*.

If the resources do not match the default settings, you must reconfigure the jumpers and switches, as described in the next few sections, to match the resources assigned to the GPIB-PCII/IIA by Windows. Figure 2-5, *GPIB-PCII/IIA Parts Locator Diagram*, in Chapter 2, *Installation and Configuration*, shows the location of the configuration jumpers and switches on the GPIB-PCII/IIA.

Configure Input/Output Range (GPIB-PCIIA Mode)

An Input/Output Range is a segment of address space reserved for the input and output of a board. The base I/O address of an Input/Output Range is the first position in the Input/Output Range used by the plug-in interface board. By default, the GPIB-PCII/IIA is configured to use base I/O address 2E1 hex when in GPIB-PCIIA mode.

The GPIB-PCIIA base I/O address is set using switches 4 and 5 of the switch block at U2. The four possible base I/O addresses are 2E1, 22E1, 42E1, and 62E1 hex. If you are installing more than one GPIB board, each board must use a unique base I/O address.

Follow these steps to reconfigure the base I/O address of the GPIB-PCII/IIA.

1. Locate the base I/O address switch at U2 on your GPIB-PCII/IIA board. Refer to Figure 2-5, *GPIB-PCII/IIA Parts Locator Diagram*, in Chapter 2, *Installation and Configuration*, to locate switch set U2.
2. Change the switch settings to configure the GPIB-PCII/IIA board to match the base I/O address of the Input/Output Range assigned by Windows.

Figure B-2 shows the switch settings for the four possible base I/O addresses and the address space used for each setting.

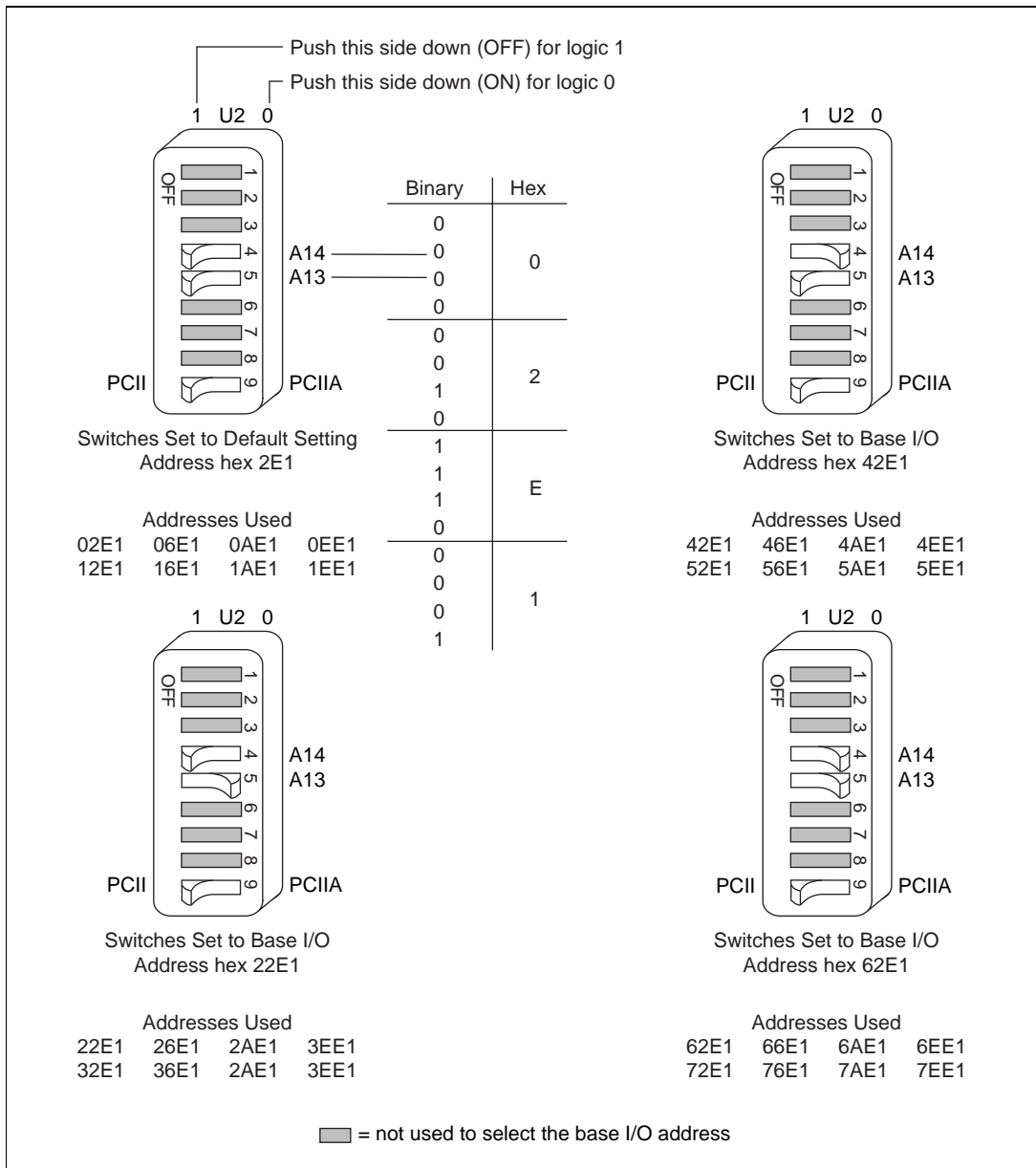


Figure B-2. Base I/O Address Switch Settings for GPIB-PCIIA Mode

Configure the Interrupt Request (GPIB-PCIIA Mode)

PC-compatible computers have a series of interrupt lines available to devices. Devices use interrupts to get service from the CPU for asynchronous events. Your GPIB hardware and software use interrupts to get service from the CPU when necessary. By default, the GPIB-PCII/IIA is configured to use interrupt request line 7.

**Note**

If no interrupt lines are available for your GPIB hardware, the jumper and switches must be moved to the disabled position, shown in Figure B-4.

To change the interrupt line in GPIB-PCIIA mode, you must set switches I0, I1, and I2 in switch set U2 to the new interrupt level setting in addition to setting the interrupt jumpers.

Follow these steps to reconfigure the interrupt request line:

1. Find switch set U2 and the jumpers that set the interrupt request line. The jumpers are located on the lower edge of your GPIB-PCII/IIA. Refer to Figure 2-5, *GPIB-PCII/IIA Parts Locator Diagram*, in Chapter 2, *Installation and Configuration*, to locate switch set U2.
2. Change the jumper settings to configure the GPIB-PCII/IIA to the new interrupt request line. Figure B-3 shows the switch and jumper settings for the default interrupt setting, IRQ7, and shows how the interrupt setting was calculated from the switch positions.

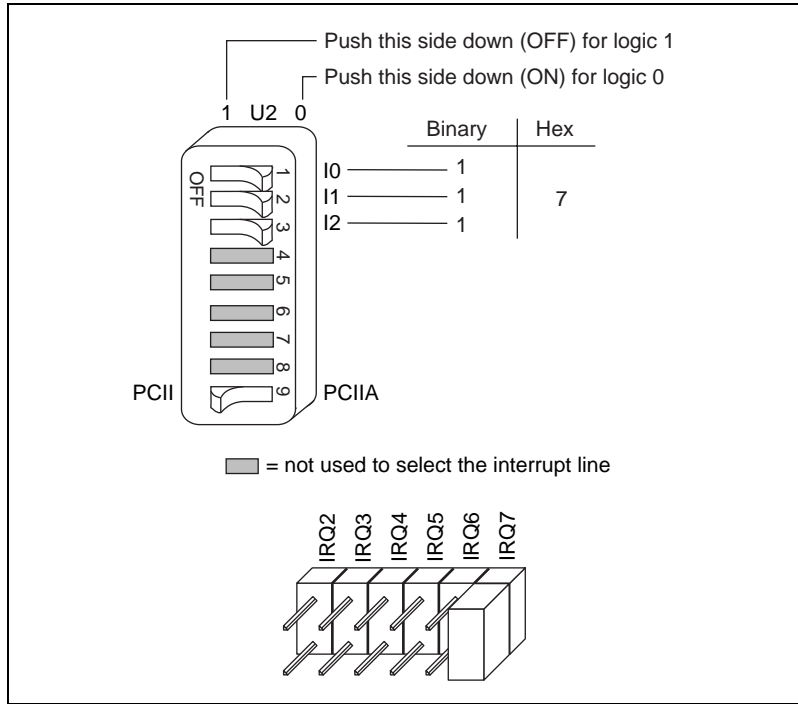


Figure B-3. Default Interrupt Jumper Setting for GPIB-PCIIA Mode

Figure B-4 shows the switch and jumper settings for the five interrupt lines other than the default, IRQ7, and for no interrupts.

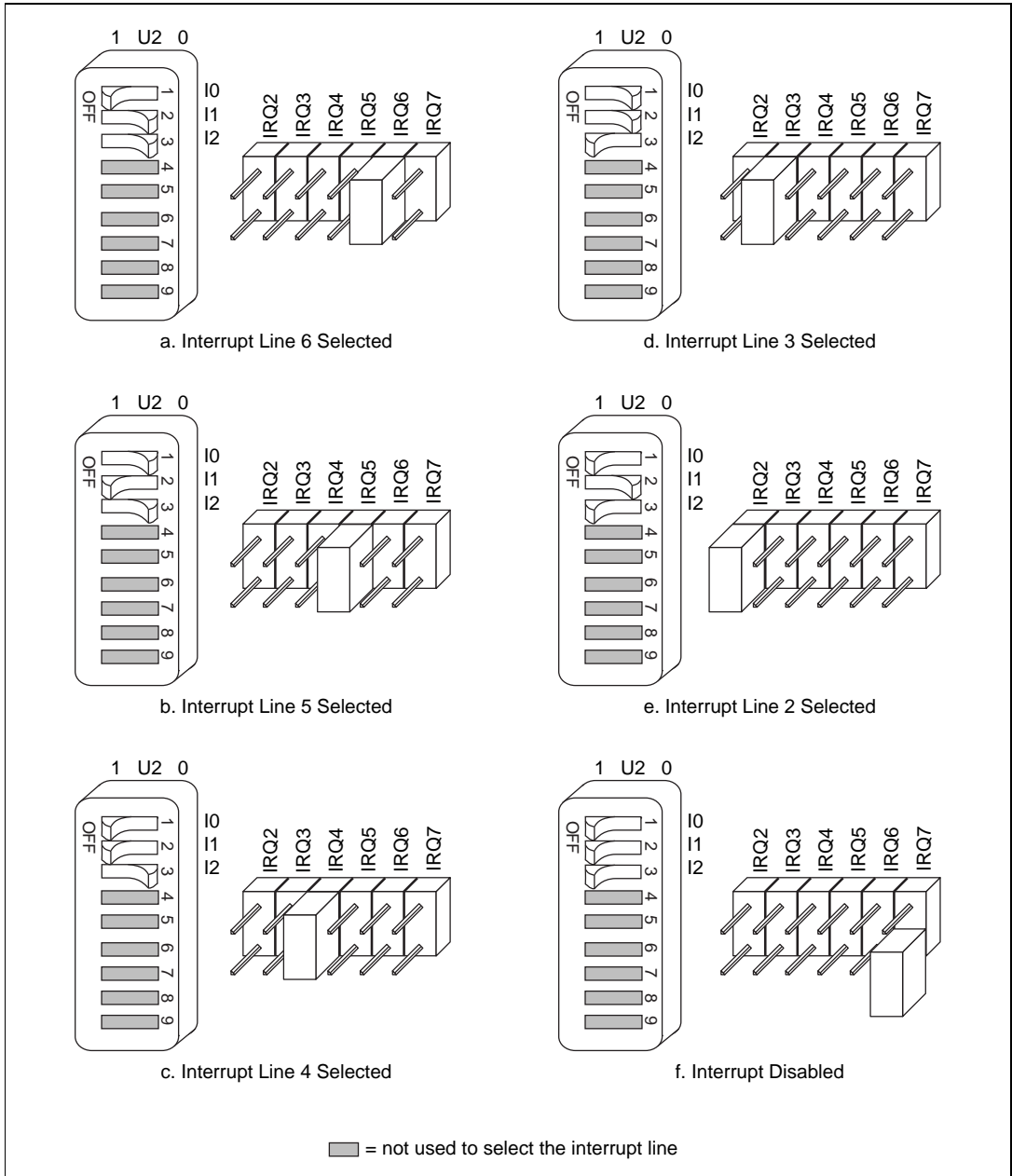
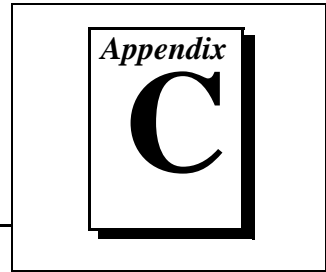


Figure B-4. Interrupt Jumper Settings for GPIB-PCIIA Mode

The remaining steps in the installation and configuration process are the same for GPIB-PCII mode and GPIB-PCIIA mode. To complete the process, go to the [Configure the Direct Memory Access](#) section in Chapter 2, *Installation and Configuration*, and follow the instructions from there.

Troubleshooting and Common Questions



This appendix describes how to troubleshoot problems and answers some common questions.

Troubleshooting EDVR Error Conditions

In some cases, calls to NI-488 functions or NI-488.2 routines may return with the ERR bit set in `ibsta` and the value EDVR in `iberr`. The value stored in `ibcntl` is useful in troubleshooting the error condition.

EDVR Error Condition with `ibcntl` Set to 0xE028002C (–534249428)

If a call is made with a board number that is within the range of allowed board numbers (typically 0 to 3), but which has not been assigned to a GPIB interface, an EDVR error condition occurs with `ibcntl` set to 0xE028002C. You can assign a board number to a GPIB interface by configuring the GPIB software and selecting an interface name. For information about how to configure the GPIB software, refer to the [Configure the GPIB Software](#) section of Chapter 2, *Installation and Configuration*.

EDVR Error Condition with `ibcntl` Set to 0xE0140025 (–535560155)

If a call is made with a board number that is not within the range of allowed board numbers (typically 0 to 3), an EDVR error condition occurs with `ibcntl` set to 0xE0140025.

EDVR Error Condition with `ibcntl` Set to 0xE0140035 (–535560139)

If a call is made with a device name that is not listed in the logical device templates that are part of the GPIB Configuration utility, an EDVR error condition occurs with `ibcntl` set to 0xE0140035.

EDVR Error Condition with `ibcntl` Set to `0xE0320029` (–533594071) or `0xE1050029` (–519765975)

If a call is made with a board number that is assigned to a GPIB interface that is unusable because of a resource conflict, an EDVR error condition occurs with `ibcntl` set to `0xE0320029` or `0xE1050029`. This error indicates that the GPIB interface is not working properly. Refer to the [GPIB Interface Not Working Properly](#) section later in this appendix.

EDVR Error Condition with `ibcntl` set to `0xE1030043` (–519897021)

This error occurs if you have enabled DOS GPIB support and attempted to run an existing GPIB DOS application that was compiled with an older, unsupported DOS language interface.

Troubleshooting Device Manager Problems

The Windows Device Manager contains configuration information for all of the GPIB hardware it is aware of that is installed in your system. To start the Windows Device Manager, double-click on the **System** icon under **Start»Settings»Control Panel**. In the **System Properties** dialog box that appears, select the **Device Manager** tab and click on the **View devices by type** button at the top of the tab.

- If there is no **National Instruments GPIB Interfaces** item and you are certain you have a GPIB interface installed, refer to the *No National Instruments GPIB Interfaces Item* section of this appendix.
- If the **National Instruments GPIB Interfaces** item exists, but the GPIB interface you are looking for is not listed there, refer to the [Missing GPIB Interface](#) section of this appendix.
- If the GPIB interface you are looking for is listed, but has a circled X or exclamation mark (!) over its icon, refer to the [GPIB Interface Not Working Properly](#) section of this appendix.

No National Instruments GPIB Interfaces Item

The **National Instruments GPIB Interfaces** item might be missing from the Device Manager because you have not yet used **Add New Hardware** in the **Control Panel** to add the new GPIB-PCII/IIA hardware to the system. To start the Add New Hardware applet, double-click on the **Add New Hardware** icon under **Start»Settings»Control Panel**. For details on how to use **Add New Hardware** to add information about Non Plug and Play GPIB hardware, refer to the appropriate hardware

installation section in Chapter 2, *Installation and Configuration*, or Appendix B, *Using the GPIB-PCII/IIA in GPIB-PCIIA Mode*.

Missing GPIB Interface

If the **National Instruments GPIB Interfaces** item exists, but the GPIB interface you are looking for is not listed there, the GPIB interface is not properly installed. For the GPIB-PCII/IIA, this means that **Add New Hardware** has not been run to add the new hardware to your Windows system. To run **Add New Hardware**, double-click on the **Add New Hardware** icon under **Start»Settings»Control Panel**. For details on how to use **Add New Hardware** to add information about your GPIB-PCII/IIA, refer to the appropriate hardware installation section in Chapter 2, *Installation and Configuration*, or Appendix B, *Using the GPIB-PCII/IIA in GPIB-PCIIA Mode*.

GPIB Interface Not Working Properly

If a GPIB interface is not working properly, its icon has a circled X or exclamation mark (!) overlaid on it, as shown in Figure C-1.

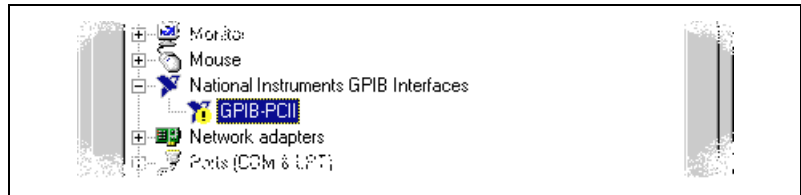


Figure C-1. GPIB Interface That Is Not Working Properly

This problem can occur for several reasons. If you encounter this problem, the Device Manager should list an error code that indicates why the problem occurred. To see the error code for a particular interface, select the name of the interface and click on the **Properties** button to go to the **General** tab for that GPIB interface. The **Device Status** section of the **General** tab shows the error code. Locate the error code in the following list to find out why your GPIB interface is not working properly.

- Code 8: The GPIB software was incompletely installed. To solve this problem, reinstall the GPIB software.
- Code 22: The GPIB interface is disabled. To enable the GPIB interface, check the appropriate configuration checkbox in the **Device Usage** section of the **General** tab.
- Code 24: The GPIB interface is not installed, or it is not configured to match the resources assigned to it. Either install the GPIB interface, or

verify that the resources assigned to it on the **Resources** tab match its settings.

- Code 27: Windows was unable to assign the GPIB interface any resources. To solve this problem, free up system resources by disabling other unnecessary hardware so that enough resources are available for the GPIB interface.

Removing System-Reserved Resources

If you have previously installed the Compatibility Release for Windows 98/95, you should remove any system-reserved resources for your GPIB-PCII/IIA. System-reserved resources are only acquired manually. If you did not use the Device Manager to acquire system-reserved resources, you do not need to use the Device Manager to remove such resources.

To remove any resources that you reserved for your GPIB-PCII/IIA, complete the following steps.

1. Select **Start»Settings»Control Panel**.
2. Run the **System** applet by double-clicking on the **System** icon.
3. In the **System Properties** dialog box that appears, select the **Device Manager** tab.
4. Click on the **View devices by type** button at the top of the **Device Manager** tab.
5. Double-click on the **Computer** icon.
6. In the **Computer Properties** dialog box that appears, click on the **Reserve Resources** tab.
7. Remove the **Interrupt request (IRQ)**, **Input/output (I/O)**, and **Direct memory access (DMA)** resources that you reserved for the GPIB-PCII/IIA.
8. Click on the **OK** button to exit the **Computer Properties** dialog box.
9. Click on the **OK** button again to exit the Device Manager.

Troubleshooting Diagnostic Utility Failures

The following sections explain common error messages generated by the Diagnostic utility.

Missing Software Components

This error occurs if the software components that are necessary for the GPIB software to function correctly are not present in the system. If you encounter this problem, reinstall the GPIB software and run the Diagnostic utility again.

No Properly Configured GPIB Interfaces Found

This error occurs if no GPIB interfaces are physically present in the system, if the Device Manager detected problems with the GPIB interfaces, or if you have not assigned logical board names to your GPIB interfaces using the Device Manager. If you encounter this problem, use the Device Manager to examine the installed GPIB interfaces, resolve any problems reported by the Device Manager, and ensure that logical board names are assigned to each interface. Then, run the Diagnostic utility again.

To access this information in the Device Manager, complete the following steps:

1. Double-click on the **System** icon under **Start»Settings»Control Panel**.
2. In the **System Properties** dialog box that appears, select the **Device Manager** tab.
3. Click on the **View devices by type** button at the top of the **Device Manager** tab.
4. Double-click on the **National Instruments GPIB Interfaces** icon. If there is no **National Instruments GPIB Interfaces** icon, either no GPIB interfaces are installed in your system or the GPIB software is installed incorrectly. If you see a **National Instruments GPIB Interfaces** icon, and a GPIB interface listed under it has a circled X or (!) over its icon, refer to the [Troubleshooting Device Manager Problems](#) section earlier in this appendix.
5. After you have opened the **National Instruments GPIB Interfaces** icon, double-click on the GPIB interface name and select the **GPIB Settings** tab to examine the logical board name associated with that interface. If it is set to **None**, change it to the appropriate name, such as **GPIB0**.

GPIB Cables Need to Be Disconnected

This error occurs if you have any GPIB cables connected to the GPIB interface. Disconnect all GPIB cables and run the Diagnostic utility again.

Address Resource Conflict

This error occurs if the address resources assigned to a GPIB interface conflict with the address resources being used by other devices in the system. Resource conflicts typically occur when your system contains legacy boards that use resources that have not been reserved properly with the Device Manager. If a resource conflict exists, write down the resource that caused the conflict and refer to the Microsoft Windows Online Help for instructions on how to use the Device Manager to reserve I/O resources for legacy boards. After the conflict has been resolved, run the Diagnostic utility again.

Interrupt Resource Conflict

This error occurs if the interrupt resources assigned to a GPIB interface conflict with the interrupt resources being used by other devices in the system. Resource conflicts typically occur when your system contains legacy boards that use resources that have not been reserved properly with the Device Manager. If a resource conflict exists, write down the resource that caused the conflict and refer to the Microsoft Windows Online Help for instructions on how to use the Device Manager to reserve IRQ resources for legacy boards. After the conflict has been resolved, run the Diagnostic utility again.

DMA Resource Conflict

This error occurs if the DMA resources assigned to a GPIB interface conflict with the DMA resources being used by other devices in the system. Resource conflicts typically occur when your system contains legacy boards that use resources that have not been reserved properly with the Device Manager. If a resource conflict exists, write down the resource that caused the conflict and refer to the Microsoft Windows Online Help for instructions on how to use the Device Manager to reserve DMA resources for legacy boards. After the conflict has been resolved, run the Diagnostic utility again.

Single-Cycle DMA Required

This error occurs if the Diagnostic utility detects that it is unable to perform demand-mode DMA for the GPIB interface and that the GPIB software has not been configured to use single-cycle DMA. GPIB interfaces that use the system DMA controller (such as the GPIB-PCII/IIA) normally use demand-mode DMA. If you get this error, you should use the Device Manager to configure the GPIB software to use single-cycle DMA for all DMA transfers, and then run the Diagnostic utility again.

To configure the GPIB software to use single-cycle DMA for a particular GPIB interface, complete the following steps:

1. Double-click on the **System** icon under **Start»Settings»Control Panel**.
2. In the **System Properties** dialog box that appears, select the **Device Manager** tab.
3. Click on the **View devices by type** button at the top of the **Device Manager** tab.
4. Double-click on the **National Instruments GPIB Interfaces** icon.
5. Double-click on the name of the GPIB interface to be configured.
6. Select the **GPIB Settings** tab.
7. Click on the **Advanced** button and make sure that the **Demand Mode DMA** item is unchecked.

GPIB Software Problem Encountered

This error occurs if the Diagnostic utility detects that it is unable to communicate correctly with the GPIB hardware using the installed GPIB software. If you get this error, shut down your computer, restart it, and run the Diagnostic utility again. If the problem persists, try reinstalling the GPIB software.

Unknown Problem Encountered

This error occurs if an unknown problem is encountered while trying to execute the Diagnostic utility. If you encounter this problem, shut down your computer, restart it, and run the Diagnostic utility again. If the problem persists, try reinstalling the GPIB software.

Common Questions

What do I do if my GPIB hardware is listed in the Windows Device Manager with a circled X or exclamation point (!) overlaid on it?

Refer to the [GPIB Interface Not Working Properly](#) section of this appendix for specific information about what might cause this problem. If you have already completed the troubleshooting steps, fill out the forms in Appendix E, [Customer Communication](#), and contact National Instruments.

How can I determine if my board is configured in GPIB-PCII mode or GPIB-PCIIA mode?

If switch 9 on switch block U2 is pushed down on the side labeled PCII, the board is in GPIB-PCII mode. If switch 9 is pushed down on the side labeled PCIIA, the board is in GPIB-PCIIA mode. National Instruments recommends that you use your board in PCII mode, not in GPIB-PCIIA mode, when using Windows, because of a problem with the Windows Device Manager that may arise when using your board in GPIB-PCIIA mode. For more details, refer to Appendix B, [Using the GPIB-PCII/IIA in GPIB-PCIIA Mode](#).

What is the difference between GPIB-PCII mode and GPIB-PCIIA mode?

For Windows 98/95, the only difference is that GPIB-PCII mode uses contiguous I/O space, while GPIB-PCIIA mode uses noncontiguous I/O space. Using noncontiguous I/O space can cause problems in Windows; therefore, National Instruments recommends using the GPIB-PCII/IIA in GPIB-PCII mode. For more information about using the board in GPIB-PCIIA mode, refer to Appendix B, [Using the GPIB-PCII/IIA in GPIB-PCIIA Mode](#).

Can I use two or more GPIB-PCII/IIA boards configured for use in GPIB-PCIIA mode in the same system using the same interrupt level?

No. Although the GPIB-PCII/IIA board is designed to share the same interrupt level with other GPIB-PCII/IIA boards when configured for use in GPIB-PCIIA mode, Windows does not allow interrupt sharing between GPIB-PCII/IIA boards. However, if there are not enough unique interrupt levels available, you can configure one or more of your GPIB-PCII/IIA boards not to use an interrupt level.

How can I determine which type of GPIB hardware I have installed?

Run the GPIB Configuration utility: select **Start»Settings»Control Panel** and double-click on the **System** icon. Select the **Device Manager** tab in the **System Properties** dialog box. Click on the **View devices by type** radio button at the top of the page. If any GPIB hardware is correctly installed, a **National Instruments GPIB Interfaces** icon appears in the list of device types. Double-click on this icon to see a list of installed GPIB hardware.

How can I determine which version of the GPIB software I have installed?

Run the Diagnostic utility: select the **Diagnostic** item under **Start»Programs»National Instruments GPIB**. A banner at the bottom of the Diagnostic utility window displays the version of the GPIB software that is installed.

What do I do if the Diagnostic utility fails with an error?

Refer to the *Troubleshooting Diagnostic Utility Failures* section of this appendix for specific information about what might cause the Diagnostic utility to fail. If you have already completed the troubleshooting steps, fill out the forms in Appendix E, *Customer Communication*, and contact National Instruments.

How many GPIB interfaces can I configure for use with my GPIB software?

You can configure the GPIB software to communicate with up to 100 GPIB interfaces.

How many devices can I configure for use with my GPIB software?

The GPIB software provides a total of 1,024 logical devices for applications to use. The default number of devices is 32. The maximum number of physical devices you should connect to a single GPIB interface is 14, or fewer, depending on your system configuration.

Are interrupts and DMA required for the GPIB software?

Neither interrupts nor DMA are required.

How can I determine if my GPIB hardware and software are installed properly?

Run the Diagnostic utility: select the **Diagnostic** item under **Start»Programs»National Instruments GPIB**. Refer to the [Troubleshooting Diagnostic Utility Failures](#) section in this appendix or the online help to troubleshoot any problems.

When should I use the Win32 Interactive Control utility?

You can use the Win32 Interactive Control utility to test and verify instrument communication, troubleshoot problems, and develop your application program. For more information, refer to the [Introduction to the Win32 Interactive Control Utility](#) section in Chapter 4, [Begin to Use the GPIB Software](#).

How do I use a GPIB language interface?

For information about using GPIB language interfaces, refer to Chapter 3, [Developing Your Application](#), in the *GPIB User Manual for Win32*.

How do I modify the hardware resources that Windows assigned to my GPIB-PCII/IIA?

To modify the hardware resources assigned to the GPIB-PCII/IIA, double-click on the **System** icon under **Start»Settings»Control Panel**. In the **System Properties** dialog box that appears, select the **Device Manager** tab, click on the **View devices by type** button, and double-click on the **National Instruments GPIB Interfaces** icon. Next, double-click on the **GPIB-PCII/IIA** item under **National Instruments GPIB Interfaces**, and click on the **Resources** tab. Change the **Settings based on** selection or use the **Change Setting** button to modify the resources used by your GPIB-PCII/IIA. Make sure to update the switches and jumpers on your board to match the new assigned resources.

Why does the uninstall program leave some components installed?

The uninstall program removes only items that the GPIB setup program installed. If you add anything to a directory that was created by the GPIB setup program, the uninstall program does not delete that directory, because the directory is not empty after the uninstallation. You need to remove any remaining components yourself.

What information should I have before I call National Instruments?

When you call National Instruments, you should have the results of the Diagnostic utility test. Also, make sure you have filled out the forms in Appendix E, *Customer Communication*.

Specifications

Appendix

D

This appendix describes the physical characteristics of the GPIB-PCII/IIA, the transfer rate of the GPIB software, and the recommended operating conditions.

Hardware Characteristics

Table D-1. GPIB-PCII/IIA Hardware Characteristics

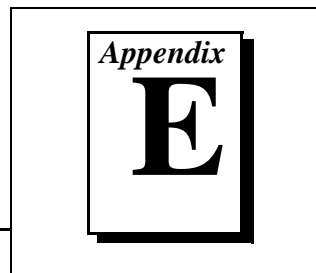
| Characteristic | Specification |
|---|---|
| Dimensions | 10.7 cm by 11.1 cm (4.2 in. by 4.35 in.) |
| Power Requirement (from PC/XT/AT I/O channel) | +5 VDC 50 mA typical 120 mA maximum |
| I/O Connector | IEEE 488 Standard 24-pin |
| Operating Environment Component Temperature Relative Humidity | 0° to 70° C 10% to 90%, noncondensing |
| Storage Environment Temperature Relative Humidity | -20° to 70° C 5% to 90%, noncondensing |
| EMI | FCC Class B Certified |

Software Transfer Rate

Table D-2. GPIB Software Transfer Rate for the GPIB-PCII/IIA

| Transfer Method | Maximum GPIB Transfer Rate |
|---|-----------------------------------|
| 3-wire (IEEE 488) | 280 kbytes/s* |
| * Actual speed may vary considerably from speed shown because of system and instrumentation capabilities. | |

Customer Communication



For your convenience, this appendix contains forms to help you gather the information necessary to help us solve your technical problems and a form you can use to comment on the product documentation. When you contact us, we need the information on the Technical Support Form and the configuration form, if your manual contains one, about your system configuration to answer your questions as quickly as possible.

National Instruments has technical assistance through electronic, fax, and telephone systems to quickly provide the information you need. Our electronic services include a bulletin board service, an FTP site, a fax-on-demand system, and e-mail support. If you have a hardware or software problem, first try the electronic support systems. If the information available on these systems does not answer your questions, we offer fax and telephone support through our technical support centers, which are staffed by applications engineers.

Electronic Services

Bulletin Board Support

National Instruments has BBS and FTP sites dedicated for 24-hour support with a collection of files and documents to answer most common customer questions. From these sites, you can also download the latest instrument drivers, updates, and example programs. For recorded instructions on how to use the bulletin board and FTP services and for BBS automated information, call 512 795 6990. You can access these services at:

United States: 512 794 5422

Up to 14,400 baud, 8 data bits, 1 stop bit, no parity

United Kingdom: 01635 551422

Up to 9,600 baud, 8 data bits, 1 stop bit, no parity

France: 01 48 65 15 59

Up to 9,600 baud, 8 data bits, 1 stop bit, no parity

FTP Support

To access our FTP site, log on to our Internet host, `ftp.natinst.com`, as anonymous and use your Internet address, such as `joesmith@anywhere.com`, as your password. The support files and documents are located in the `/support` directories.

Fax-on-Demand Support

Fax-on-Demand is a 24-hour information retrieval system containing a library of documents on a wide range of technical information. You can access Fax-on-Demand from a touch-tone telephone at 512 418 1111.

E-Mail Support (Currently USA Only)

You can submit technical support questions to the applications engineering team through e-mail at the Internet address listed below. Remember to include your name, address, and phone number so we can contact you with solutions and suggestions.

support@natinst.com

Telephone and Fax Support

National Instruments has branch offices all over the world. Use the list below to find the technical support number for your country. If there is no National Instruments office in your country, contact the source from which you purchased your software to obtain support.

| Country | Telephone | Fax |
|------------------|------------------|------------------|
| Australia | 03 9879 5166 | 03 9879 6277 |
| Austria | 0662 45 79 90 0 | 0662 45 79 90 19 |
| Belgium | 02 757 00 20 | 02 757 03 11 |
| Brazil | 011 288 3336 | 011 288 8528 |
| Canada (Ontario) | 905 785 0085 | 905 785 0086 |
| Canada (Québec) | 514 694 8521 | 514 694 4399 |
| Denmark | 45 76 26 00 | 45 76 26 02 |
| Finland | 09 725 725 11 | 09 725 725 55 |
| France | 01 48 14 24 24 | 01 48 14 24 14 |
| Germany | 089 741 31 30 | 089 714 60 35 |
| Hong Kong | 2645 3186 | 2686 8505 |
| Israel | 03 6120092 | 03 6120095 |
| Italy | 02 413091 | 02 41309215 |
| Japan | 03 5472 2970 | 03 5472 2977 |
| Korea | 02 596 7456 | 02 596 7455 |
| Mexico | 5 520 2635 | 5 520 3282 |
| Netherlands | 0348 433466 | 0348 430673 |
| Norway | 32 84 84 00 | 32 84 86 00 |
| Singapore | 2265886 | 2265887 |
| Spain | 91 640 0085 | 91 640 0533 |
| Sweden | 08 730 49 70 | 08 730 43 70 |
| Switzerland | 056 200 51 51 | 056 200 51 55 |
| Taiwan | 02 377 1200 | 02 737 4644 |
| United Kingdom | 01635 523545 | 01635 523154 |
| United States | 512 795 8248 | 512 794 5678 |

Technical Support Form

Photocopy this form and update it each time you make changes to your software or hardware, and use the completed copy of this form as a reference for your current configuration. Completing this form accurately before contacting National Instruments for technical support helps our applications engineers answer your questions more efficiently.

If you are using any National Instruments hardware or software products related to this problem, include the configuration forms from their user manuals. Include additional pages if necessary.

Name _____

Company _____

Address _____

Fax (____) _____ Phone (____) _____

Computer brand _____ Model _____ Processor _____

Operating system (include version number) _____

Clock speed _____ MHz RAM _____ MB Display adapter _____

Mouse ___ yes ___ no Other adapters installed _____

Hard disk capacity _____ MB Brand _____

Instruments used _____

National Instruments hardware product model _____ Revision _____

Configuration _____

National Instruments software product _____ Version _____

Configuration _____

The problem is: _____

List any error messages: _____

The following steps reproduce the problem: _____

Hardware and Software Configuration Form

Record the settings and revisions of your hardware and software on the line to the right of each item. Complete a new copy of this form each time you revise your software or hardware configuration, and use this form as a reference for your current configuration. Completing this form accurately before contacting National Instruments for technical support helps our applications engineers answer your questions more efficiently.

National Instruments Products

GPIB-PCII/IIA Hardware Revision _____

GPIB-PC Mode of GPIB-PCII/IIA _____

7210/9914 Mode of GPIB-PCII/IIA _____

GPIB Software for Windows NT/98/95 Date on CD _____

Programming Language Interface Version _____

Diagnostic Utility Results _____

Other Products

Resources Summary Report from the Device Manager

To create this report, first display the **System Properties** dialog box for the computer by double-clicking on the **System** icon under **Start»Settings»Control Panel**. Then click on the **Device Manager** tab and highlight the **Computer** icon. Click on the **Print** button, and check the **Print to file** checkbox in the **Print** dialog box before clicking on **OK**.

Programming Environment Information

Programming Language _____

Compiler Vendor _____ Compiler Version _____

Application Information

DOS Application _____ Win16 Application _____ Win32 Application _____

If Win16 or Win32, method of accessing DLL (link with language interface or direct entry?)

Documentation Comment Form

National Instruments encourages you to comment on the documentation supplied with our products. This information helps us provide quality products to meet your needs.

Title: *Getting Started with Your GPIB-PCII/IIA and the GPIB Software for Windows 98/95*

Edition Date: July 1998

Part Number: 321422D-01

Please comment on the completeness, clarity, and organization of the manual.

If you find errors in the manual, please record the page numbers and describe the errors.

Thank you for your help.

Name _____

Title _____

Company _____

Address _____

Phone (____) _____ Fax (____) _____

Mail to: Technical Publications
National Instruments Corporation
6504 Bridge Point Parkway
Austin, TX 78730-5039

Fax to: Technical Publications
National Instruments Corporation
(512) 794-5678

Glossary

| Prefix | Meanings | Value |
|--------|----------|-----------|
| m- | milli- | 10^{-3} |
| c- | centi- | 10^{-2} |
| k- | kilo- | 10^3 |
| M- | mega- | 10^6 |

| | |
|------------------|--|
| ° | degrees |
| % | percent |
| A | amperes |
| ANSI | American National Standards Institute |
| ASIC | application-specific integrated circuit |
| base I/O address | lowest I/O address used by the GPIB hardware |
| C | Celsius |
| CE | Conformite Europeene |
| CPU | central processing unit |
| DLL | dynamic link library |
| DMA | direct memory access |
| EMI | electromagnetic interference |
| FCC | Federal Communications Commission |

Glossary

| | |
|--------------|--|
| GPIB | General Purpose Interface Bus |
| hex | hexadecimal |
| Hz | hertz |
| IEEE | Institute of Electrical and Electronic Engineers |
| in. | inches |
| I/O | input/output |
| IRQ | interrupt request |
| ISA | Industry Standard Architecture |
| legacy board | ISA board whose system resources are chosen by changing physical DIP switches or jumpers on the board |
| m | meters |
| MB | megabytes of memory |
| PC | personal computer |
| PLC | programmable logic controller |
| RAM | random-access memory |
| resource | hardware settings used by devices in a computer system, including ISA interrupt request, DMA channel, and base I/O address |
| s | seconds |
| VDC | volts direct current |
| VXI | VME eXtensions for Instrumentation |